



GLORREEL
吉罗瑞

弹簧驱动型液压软管卷筒

Hydraulic spring driven hose reels



吉罗瑞荣誉产品

DR-GLOREEL, The excellence of Made in Italy!



历史

有着二十多年对产品质量和技术的执着追求，使吉罗瑞具有很强的研发能力和很高的生产效率，使得我们能快速和高效地为您提供专业的解决方案。

理念

基于激情，热心和信任，吉罗瑞通过与客户的紧密合作使得我们不但给客户提供了产品，还为他们的选择提供支持和服务。

客户关系和他们的满意程度是我们工作的唯一焦点，一切业务地开展均来自于此。

产品

吉罗瑞产品被广泛应用于不同的工业领域。如土方作业（比如旋挖钻机）到造船、搬运和起重、制造业、水处理、自动化行业、钢铁工业、机器人以及海洋船舶设备等。



软管电缆复合卷筒



电液旋转接头



海事防爆型



船舶停泊专用卷筒



1995



HISTORY

With 20 years of experience and thanks to high degree of competences, DR-GLOREEL has a strong ability to develop innovation solutions together with the efficiency of the plants and the quality of the products.

THE PHILOSOPHY

Able to inspire passion, enthusiasm, trust and especially by encouraging the spirit of collaboration between human resources of its staff, DR-GLOREEL gives to its activities a noble and deep meaning to deliver not only the best products, but also for assist and support companies in their choices. The relationships with customers and their satisfaction are the focus around which the whole business structure has been developed.

PRODUCTS

The products of DR-GLOREEL are applied in different industries: ground handling (cranes drills), shipbuilding, handling and lifting, manufacturing industry, water treatment, automation, iron and steel industry, robotics, marine vessels and so on...



吊车和移动设备专用



弹簧驱动液压软管卷筒



隧道矿用电缆卷筒



弹簧驱动型液压软管卷筒



Hydraulic spring driven hose reels



吉罗瑞，是一家具有成熟经验和几十年技术积累的主动进取型公司。公司专注于提供能源移动传输这一细分市场并提供宽广的产品系列，从标准产品到特种需求产品的研发和定制，以期能充分满足客户的各类工业应用。公司严格按照ISO 9001/2000证书标准组织研发、生产、销售和服务。

DR-GLOREEL is a dynamic company ISO 9001/2'15 certified, born from decades of technological and professional experiences gained in leading companies in the field of energy supply. The company produces a wide range of solutions, both standard and specifically engineered to meet every need.

主要特性

Main features

..... Pag. 7

通用安装指南

General installations instructions

..... Pag. 8

SERIE 1SA.34 单管液压卷筒 - 最大3/4"
Single port hydraulic hose reels - Max 3/4"
..... Pag. 9

SERIE 1SA.10 单管液压卷筒 - 最大1"
Single port hydraulic hose reels - Max 1"
..... Pag. 10

SERIE 2BA.12 双排管液压卷筒 - 轴向进出最大1/2"
2 axial port hydraulic hose reels - Max 1/2"
..... Pag. 11

SERIE 2BA.34 双管液压卷筒 - 轴向进出最大3/4"
2 axial port hydraulic hose reels - Max 3/4"
..... Pag. 13

SERIE 2BR.12 双管液压卷筒 - 径向进出最大3/8"
2 radial port hydraulic hose reels - Max 3/8"
..... Pag. 15

SERIE 2BR.34 双管液压卷筒 - 径向进出最大3/4"
2 radial port hydraulic hose reels - Max 3/4"
..... Pag. 17

SERIE 2SA.12 双管隔离液压卷筒-轴向进出最大3/8"
2 axial port hydraulic hose reels - Max 3/8"
..... Pag. 18

SERIE 2SA.10 双管隔离液压卷筒 - 轴向进出最大1"
2 axial port hydraulic hose reels - Max 1"
..... Pag. 20



<p>SERIE 2SR.12</p>	<p>双管隔离液压卷筒 - 径向进出最大3/8" 2 radial port hydraulic hose reels - Max 3/8"</p> <p>..... Pag. 22</p>	<p>SERIE 1SM</p>	<p>单管多层液压卷筒 Single port multispiral hydraulic hose reels</p> <p>..... Pag. 37</p>
<p>SERIE 2SR.34</p>	<p>双管隔离液压卷筒 - 径向进出最大3/4" 2 radial port hydraulic hose reels - Max 3/4"</p> <p>..... Pag. 24</p>		<p>特殊应用 Special executions</p> <p>..... Pag. 38</p>
<p>SERIE 3TR.12</p>	<p>三排管液压卷筒 - 径向进出最大3/8" 3 radial port hydraulic hose reels - Max 3/8"</p> <p>..... Pag. 25</p>		<p>电机驱动型软管卷筒 Motor driven hose reels</p> <p>..... Pag. 39</p>
<p>SERIE 3SR.12</p>	<p>三管隔离液压卷筒 - 径向进出最大3/8" 3 radial port hydraulic hose reels - Max 3/8"</p> <p>..... Pag. 27</p>		<p>EH 电液复合卷筒 EH Electrohydraulic hose reels</p> <p>..... Pag. 40</p>
<p>SERIE 3SR.34</p>	<p>三管隔离液压卷筒 - 径向进出最大3/4" 3 radial port hydraulic hose reels - Max 3/4"</p> <p>..... Pag. 29</p>		<p>附件 Accessories</p> <p>..... Pag. 41</p>
<p>SERIE 3SA.10</p>	<p>三管隔离液压卷筒 - 径向进出最大1" 3 radial port hydraulic hose reels - Max 1"</p> <p>..... Pag. 30</p>		<p>软管卷筒参数需求表 Hose reels data collection form</p> <p>..... Pag. 42</p>
<p>SERIE 4BR.12</p>	<p>双排+双排液压卷筒 - 径向进出最大3/8" 4 radial port hydraulic hose reels - Max 3/8"</p> <p>..... Pag. 31</p>		
<p>SERIE 4SR.12</p>	<p>四管隔离液压卷筒 - 径向进出最大3/8" 4 radial port hydraulic hose reels - Max 3/8"</p> <p>..... Pag. 32</p>		
<p>SERIE 4SR.34</p>	<p>四管隔离液压卷筒-径向进出最大3/4" 4 radial port hydraulic hose reels - Max 3/4"</p> <p>..... Pag. 35</p>		
<p>SERIE 4DR.12</p>	<p>四管隔离液压卷筒-径向进出最大1/2" 4 radial port hydraulic hose reels - Max 1/2"</p> <p>..... Pag. 36</p>		



弹簧驱动型液压软管卷筒

Hydraulic spring driven hose reels

采用高超的工艺和优质的原料，吉罗瑞能够为您提供简单可靠，安全易用的解决方案。多年来吉罗瑞取得了显著的专业成就博得了海内外客户的一致好评。

Thanks to an high expertise degree, DR-GLOREEL provides easy, reliable and safe, technical solutions made with high quality materials. DR has achieved over the years a significant specialization confirmed today by the prestigious references of national and international customers.

弹簧驱动型液压软管卷筒通常应用于那些需要移动液压驱动的设备，而该设备因为移动而造成它和动力源距离不断变化。

一个或者几个涡卷弹簧制造出恒定的拉力，可以自动回卷归位，也可以在机器运动时随动舒张和收缩（比如起重臂的伸展）。

由于采用不同材料、尺寸和长度的涡卷弹簧来迎合不同的扭矩需求，使得我们的产品能够很容易地满足各类工况和需求：无论您需要垂直安装还是水平安装；或者采用重型胶管还是轻质软管。

挡板法兰一般采用碳钢板制作，表面采用环氧粉末喷漆处理，能够用来支持单管，多管（最多到六管），并根据流量和压力匹配管径从3/16"到2"的各类软管，如热塑管和胶管(钢丝编织，纤维编织，双层钢丝编织等)。

许用介质：液压油、冷热水、甘油、空气等。

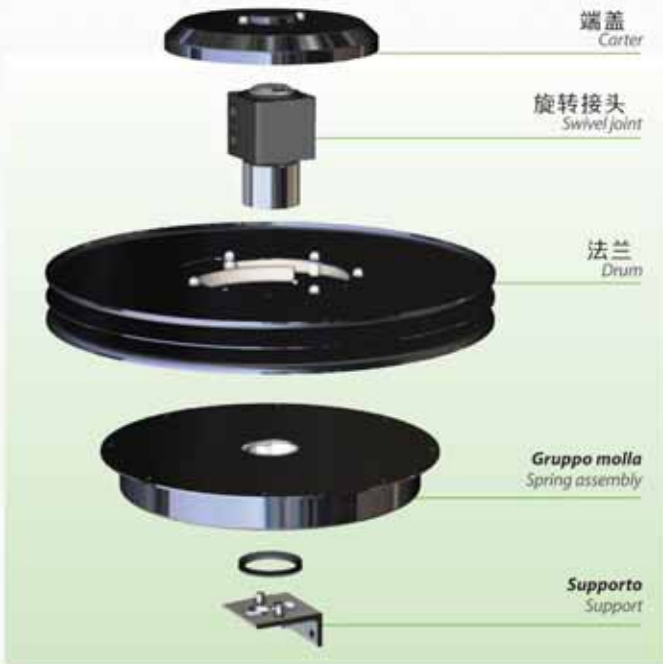
Hydraulic spring driven hose reels are used on those machines where the distance of the mobile use from the hydraulic feeding is variable.

One or more spiral springs have the function to keep tense and to rewind the hydraulic hoses previously unwound during the machine movement (eg. Extension of a telescopic boom).

Thanks to several material dimension and lengths of the steel springs, torque values are easily obtained to grant optimal hose rewinding, even in case of horizontal applications and vertical applications, even for light hoses and heavy hoses.

A drum made by carbon steel sheet and epoxy powder painted following high quality standards, holds the hydraulic hoses that can be single, twin (up to 6 hoses) and with several diameters from 3/16" to 2" to grant a wide range of flow rates. The use of thermoplastic and rubber hoses with different manufacturing specifications (steel braid, textile braid, double braid, etc.) allows a wide range of working pressures.

Allowed medium: hydraulic oil, cold water, water and glycol, air.



- 管径: 3/16" (5mm) ÷ 2" (50mm)
- 工作压力: 最大400 bar (40MPa)
- 流量: 可达250l/min
- 最高软管速度: 30m/min
- 工作温度: -20°C ÷ 80°C
- 加固碳钢机构
- 防腐聚氨酯油漆
- 可变换出管方向
- 可定制不锈钢版本
- 标识卷筒尺寸和软管长度
- 软管总长=含卷筒内长度
- 行程: 软管总长减半圈余量

Hose diameter:
3/16" (5 mm) ÷ 2" (50 mm)

Working pressure:
max. 400 bar (35 MPa)

Flow rate: up to 250 l/min

Max hose speed:
30 m/min

Working temperature:
-20°C ÷ 80°C

Rugged carbon steel frame

Corrosion-proof
polyurethan painting

Reversible rotation direction

Stainless steel version on request

Purely indicative hose reel
dimensions and hose lengths

Hose lengths = total hose length
wound inside the drum

Stroke: hose length minus about
half coil always wrapped



应用领域 / Application Fields

- 升降平台 Aerial platforms
- 汽车吊 Autocranes
- 折臂吊 knuckle boom crane
- 叉车 Fork lift trucks
- 叉车 Telescopic outrigger
- 支腿式汽车吊 Telescopic handlers
- 堆取料机 Automatic warehouses
- 自动仓库 Oleodinamic trash rack cleaner
- 液压拦污栅 Oleodinamic hedgecutter
- 树篱切割机
- 钻机 Drilling machines

参数和型号含义 / Key to model number

	A30	S	1	AQ516	D	B	XX
挡板法兰直径(30=Φ300mm) Drum flange dimension (30 = ø300 mm)	Line to A30						
软管类型: S=单管, B=双管, T=三管, E=3个双排, P=1个双排+1个三管 Hose type: S = single, B = twin, T = triple, E = 3 twin, P = 1 twin + 1 triple		Line to S					
油口数量 / Port quantity			Line to 1				
旋转接头和油口直径: A=轴向口径, R=径向口径-Q=平方, F=铸造, D=双弹簧 Internal swivel joint and port diameter: A = axial output, R = radial output - Q = Square, F = Casting, D = Double spring				Line to AQ516			
旋转方向(面对旋转接头的视图): 顺时针 > D=右手; 逆时针 > S=左手 Rotation direction (swivel joint side view* and unwinding hose): clockwise > D (right hand); anti-clockwise > S (left hand)					Line to D		
出管方向(A, B, C, D和F, 详情可参阅最后一页的卷筒需求表) Hose output direction (A, B, C, D, E or F according to the scheme of the questionnaire on the last page)						Line to B	
软管定义(见第八页)或特制卷筒 Hose definition (see page 8) or customized hose reel record							Line to XX

通用安装指南 *General installations/instructions*

卷筒交付时并无预紧，因此在安装时请事先预紧以达到最佳性能。

The spring of the hose reel is not prewound at the delivery; customer must perform the correct rewinding operations during reel installation to grant the optimal functioning.

将卷筒固定在基座上，同时尽量绕紧和尽量缩短与驱动装置的距离。

Fix the hose reel on the machine support whit the hose completely wound inside the drum, trying to reduce as much as possible the distance to the machine moving part hose connections.

连接软管前，务必让卷筒松开到合适卷数，具体见卷筒上标签：请阅读黄色的注意事项。随后，连接上管子。

Before connect the hoses, let the drum rotate following the hose unwinding direction by the number of turns indicated on the label applied on the drum. IMPORTANT: read yellow note below. Afterthat, connet the hoses.

彻底伸展伸缩臂，以便检查卷筒是否正确的工作，注意检查是否还有一段软管留在卷筒上以避免拉扯到管接头。

Completely extend the boom in order to check that when completely etended there is almost one hose layer inside the drum to avoid traction on the hose fittings.



警告！请不要按箭头相反方向旋转以避免损坏产品本身，或者造成弹簧脱钩失效。

WARNING! do not turn the hose reel in the opposite direction on that shown by the arrow applied on the spool to avoid damages or release of the rewinding spring.

液压软管选型 *Hydraulic hose selection*

吉罗瑞弹簧驱动型液压软管卷筒可以带管或者不带管提供。由于卷筒的操作工况和条件各有不同，比如最大压力、温度范围释放速度，出管方向和实际偏差等，因此正确的选项显得非常重要。

DR-GLOREEL spring driven hydraulic hose reels can be supplied complete with hoses or without hoses. To know the operating conditions such as maximum pressure, temperature range, unwinding speed, hose unwinding direction with eventual deflection, is important to properly select the hose type.

吉罗瑞可以选用如下软管以保证满足上述工况和条件。

DR-GLOREEL can select the hose according to the supplied specifications.

软管种类

热塑性：

R7-单层编织（单管、双管并联）

R8-双层编织（单管、双管并联、三管并联）

S7-单层钢丝（单管、双管并联）

S8-双层钢丝（单管、双管并联、三管并联）

胶管：

G1-单层钢丝（单管）

G2-双层钢丝（单管）

G4-四层涡卷（单管）

Hoses available

Thermoplastic:

R7 - Single textile braid (single, twin)

R8 - Double textile braid (single, twin, triple)

S7 - Single steel braid (single, twin)

S8 - Double steel braid (single, twin, triple)

Rubber:

G1 - Single steel braid (single)

G2 - Double steel braid (single)

G4 - 4 steel spirals (single)

软管类型 / Hose type

R7	S7	G1	R8	S8	G2	G4		
100 bar (10 MPA)						>	400 bar (40 MPA)	
低压-柔软-轻便 <i>Lower pressure - Higher flexibility - Lighter</i>						高压-僵硬-重型 <i>Higher pressure - Lower flexibility - Heavier</i>		

有关旋转方向和出管方向等的编码规则请参阅第七页。

See page 7 the coding of the rotation direction and hose output direction.

SERIE
1SA.34

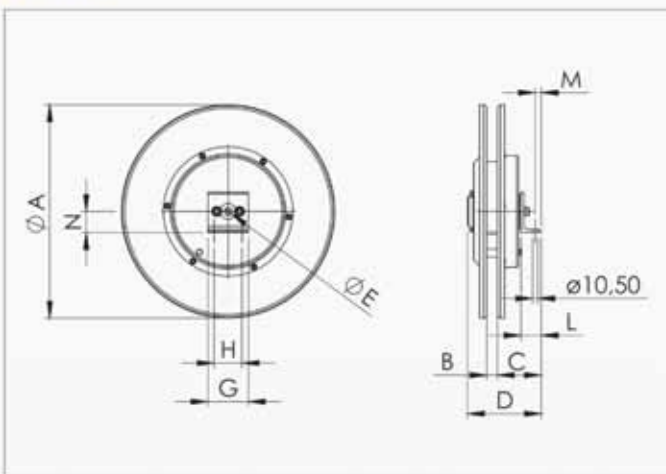
单管液压卷筒 / Single port hydraulic hose reels

GLOREEL
吉罗瑞



Max 3/4"

外形尺寸 / Overall dimensions



性能参数 / Features

- 温度范围:
-20/+80°C
- 工作压力:
400bar(40MPa)
- 最大回卷速度:
30m/min
- 1/4"软管可共选择

Working temperature:
-20/+80 °C

Working pressure:
400 bar (40 MPa)

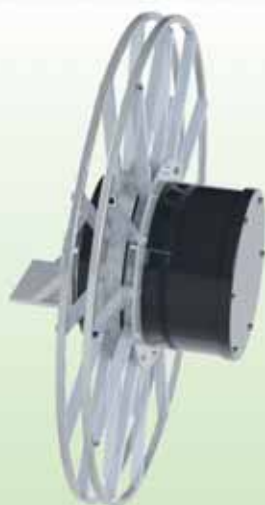
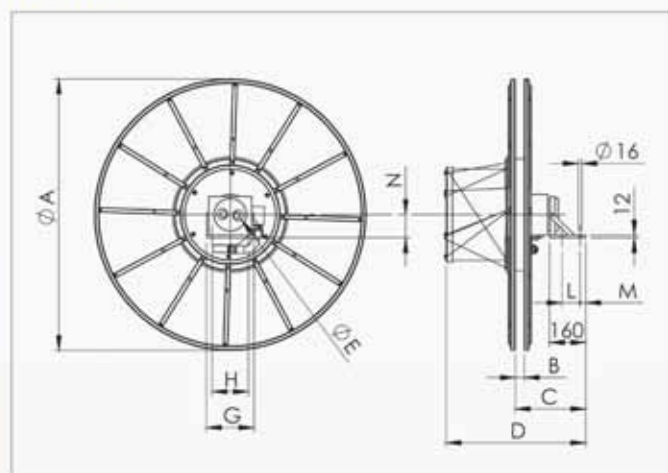
Max. rewinding speed:
30 m/min

Available for 1/4" hose also

管长 Hose length in	管径 Hose Ø in	型号 Code	A mm	B mm	C mm	D mm	E in	G mm	H mm	L mm	M mm	N mm
2,3	5/16	A305-1AQ516	300	16	86	145	5/16	80	55	40	12	42
1,5	3/8	A305-1AQ38	300	18	86	145	3/8	80	55	40	12	42
2,3	5/16	A325-1AQ516	320	16	86	145	5/16	80	55	40	12	42
1,5	3/8	A325-1AQ38	320	18	86	145	3/8	80	55	40	12	42
3,3	5/16	A345-1AQ516	340	16	86	145	5/16	80	55	40	12	42
2,5	3/8	A345-1AQ38	340	18	86	145	3/8	80	55	40	12	42
2,5	1/2	A345-1AQ12	340	23	86	145	1/2	80	55	40	12	42
4,4	5/16	A375-1AQ516	370	16	86	145	5/16	80	55	40	12	42
3,5	3/8	A375-1AQ38	370	18	86	145	3/8	80	55	40	12	42
2,5	1/2	A375-1AQ12	370	23	86	145	1/2	80	55	40	12	42
4,4	5/16	A405-1AQ516	400	16	86	145	5/16	80	55	40	12	42
3,5	3/8	A405-1AQ38	400	18	86	145	3/8	80	55	40	12	42
3,4	1/2	A405-1AQ12	400	23	86	145	1/2	80	55	40	12	42
5,7	5/16	A425-1AQ516	420	16	86	145	5/16	80	55	40	12	42
4,7	3/8	A425-1AQ38	420	18	86	145	3/8	80	55	40	12	42
3,7	1/2	A425-1AQ12	420	23	86	145	1/2	80	55	40	12	42
7	5/16	A475-1AQ516	470	16	96	155	5/16	80	55	40	12	42
6,1	3/8	A475-1AQ38	470	18	96	155	3/8	80	55	40	12	42
5	1/2	A475-1AQ12	470	23	96	155	1/2	80	55	40	12	42
3,6	5/8	A475-1AQ58	470	30	96	155	5/8	80	55	40	12	42
2,3	3/4	A475-1AQ34	470	32	96	155	3/4	80	55	40	12	42
9,9	5/16	A525-1AQ516	520	16	96	155	5/16	80	55	40	12	42
7,6	3/8	A525-1AQ38	520	18	96	155	3/8	80	55	40	12	42
6,5	1/2	A525-1AQ12	520	23	96	155	1/2	80	55	40	12	42
5,2	5/8	A525-1AQ58	520	30	96	155	5/8	80	55	40	12	42
3,7	3/4	A525-1AQ34	520	32	96	155	3/4	80	55	40	12	42
9,2	3/8	A575-1AQ38	570	18	96	155	3/8	80	55	40	12	42
8,1	1/2	A575-1AQ12	570	23	96	155	1/2	80	55	40	12	42
5,2	5/8	A575-1AQ58	570	30	96	155	5/8	80	55	40	12	42
5,4	3/4	A575-1AQ34	570	32	96	155	3/4	80	55	40	12	42
10,8	3/8	A605-1AQ38	600	18	96	155	3/8	80	55	40	12	42
9,5	1/2	A605-1AQ12	600	23	96	155	1/2	80	55	40	12	42
7	5/8	A605-1AQ58	600	30	96	155	5/8	80	55	40	12	42
5,4	3/4	A605-1AQ34	600	32	96	155	3/4	80	55	40	12	42
12,8	3/8	A655-1AQ38	650	18	96	155	3/8	80	55	40	12	42
11,5	1/2	A655-1AQ12	650	23	96	155	1/2	80	55	40	12	42
8,9	5/8	A655-1AQ58	650	30	96	155	5/8	80	55	40	12	42
7,2	3/4	A655-1AQ34	650	32	96	155	3/4	80	55	40	12	42
14,9	3/8	A725-1AQ38	720	18	96	155	3/8	80	55	40	12	42
13,6	1/2	A725-1AQ12	720	23	96	155	1/2	80	55	40	12	42
11	5/8	A725-1AQ58	720	30	96	155	5/8	80	55	40	12	42
9,3	3/4	A725-1AQ34	720	32	96	155	3/4	80	55	40	12	42

软管选型见第八页
See page 8 for hose choice.

旋转方向选择第七页
See page 7 to define the rotation direction.


Max 1"
外形尺寸 / Overall dimensions

性能参数 / Features

- 温度范围:
-20/+80°C
- 工作压力:
400bar(40MPa)
- 最大回卷速度:
30m/min

 Working temperature:
-20/+80 °C

 Working pressure:
400 bar (40 MPa)

 Max. rewinding speed:
30 m/min

管长 Hose length m	管径 Hose Ø in	型号 Code	A mm	B mm	C mm	D mm	E in	G mm	H mm	L mm	M mm	N mm
12,1	1/2	A80S-1AQ12	800	23	311	650	1/2	210	160	80	25	102
10	5/8	A80S-1AQ58	800	30	311	650	5/8	210	160	80	25	102
7,8	3/4	A80S-1AQ34	800	32	311	650	3/4	210	160	80	25	102
5,8	1	A80S-1AQ1	800	40	311	700	1	210	160	80	25	102
17,4	1/2	A90S-1AQ12	900	23	311	650	1/2	210	160	80	25	102
15,3	5/8	A90S-1AQ58	900	30	311	650	5/8	210	160	80	25	102
12,9	3/4	A90S-1AQ34	900	32	311	700	3/4	210	160	80	25	102
10,8	1	A90S-1AQ1	900	40	311	700	1	210	160	80	25	102
23,3	1/2	A100S-1AQ12	1000	23	311	700	1/2	210	160	80	25	102
21,2	5/8	A100S-1AQ58	1000	30	311	750	5/8	210	160	80	25	102
15,8	3/4	A100S-1AQ34	1000	32	311	750	3/4	210	160	80	25	102
13,7	1	A100S-1AQ1	1000	40	311	750	1	210	160	80	25	102
36,9	1/2	A120S-1AQ12	1200	23	311	750	1/2	210	160	80	25	102
31,6	5/8	A120S-1AQ58	1200	30	311	750	5/8	210	160	80	25	102
29,3	3/4	A120S-1AQ34	1200	32	311	750	3/4	210	160	80	25	102
23,8	1	A120S-1AQ1	1200	40	311	750	1	210	160	80	25	102
53	1/2	A140S-1AQ12	1400	23	311	750	1/2	210	160	80	25	102
43,5	5/8	A140S-1AQ58	1400	30	311	750	5/8	210	160	80	25	102
41,5	3/4	A140S-1AQ34	1400	32	311	750	3/4	210	160	80	25	102
31,8	1	A140S-1AQ1	1400	40	311	750	1	210	160	80	25	102
71,6	1/2	A160S-1AQ12	1600	23	311	750	1/2	210	160	80	25	102
61,9	5/8	A160S-1AQ58	1600	30	311	750	5/8	210	160	80	25	102
55,5	3/4	A160S-1AQ34	1600	32	311	750	3/4	210	160	80	25	102
45,6	1	A160S-1AQ1	1600	40	311	750	1	210	160	80	25	102

 软管选型见第八页
See page 8 for hose choice.

 旋转方向选择第七页
See page 7 to define the rotation direction.

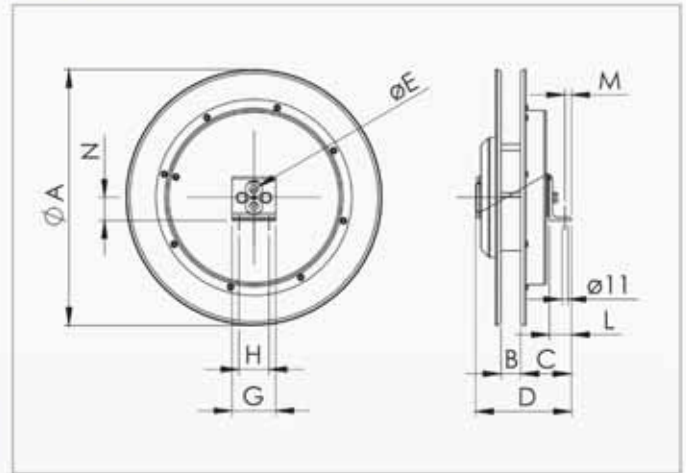
SERIE
2BA.12
BANJO

双排管液压卷筒 / 2 axial port hydraulic hose reels



Max 1/2"

外形尺寸 / Overall dimensions



性能参数 / Features

- 紧凑型(班卓琴连接)
- 双排管
- 温度范围:
-20/+80°C
- 工作压力:
400bar(40MPa)
- 最大回卷速度:
30m/min

Compact version
(inner fitting = Banjo)

Twin hoses

Working temperature:
-20/+80 °C

Working pressure:
400 bar (40 MPa)

Max. rewinding speed:
30 m/min



软管选型见第八页
See page 8 for hose choice.

旋转方向见第七页
See page 7 to define the rotation direction.

管长 Hose length m	管径 Hose Ø in	型号 Code	A mm	B mm	C mm	D mm	E in	G mm	H mm	L mm	M mm	N mm
1,5	3/16	A20B-2AQ316	200	22	85	177	1/4	80	55	40	12	42
1	1/4	A20B-2AQ14	200	27	85	177	1/4	80	55	40	12	42
2,2	3/16	A23B-2AQ316	230	22	85	177	1/4	80	55	40	12	42
1,6	1/4	A23B-2AQ14	230	27	85	177	1/4	80	55	40	12	42
1,7	5/16	A23B-2AQ516	230	32	95	187	3/8	80	55	40	12	42
1,7	3/8	A23B-2AQ38	230	36	95	187	3/8	80	55	40	12	42
3,7	3/16	A27B-2AQ316	270	22	85	177	1/4	80	55	40	12	42
3,1	1/4	A27B-2AQ14	270	27	85	177	1/4	80	55	40	12	42
2,4	5/16	A27B-2AQ516	270	32	95	187	3/8	80	55	40	12	42
2,5	3/8	A27B-2AQ38	270	36	95	187	3/8	80	55	40	12	42
4	1/4	A30B-2AQ14	300	27	85	177	1/4	80	55	40	12	42
3,2	5/16	A30B-2AQ516	300	32	95	187	3/8	80	55	40	12	42
3,4	3/8	A30B-2AQ38	300	36	95	187	3/8	80	55	40	12	42
4,9	1/4	A32B-2AQ14	320	27	85	177	1/4	80	55	40	12	42
4,2	5/16	A32B-2AQ516	320	32	95	187	3/8	80	55	40	12	42
3,4	3/8	A32B-2AQ38	320	36	95	187	3/8	80	55	40	12	42
4,9	1/4	A34B-2AQ14	340	27	85	177	1/4	80	55	40	12	42
5,2	5/16	A34B-2AQ516	340	32	95	187	3/8	80	55	40	12	42
4,4	3/8	A34B-2AQ38	340	36	95	187	3/8	80	55	40	12	42

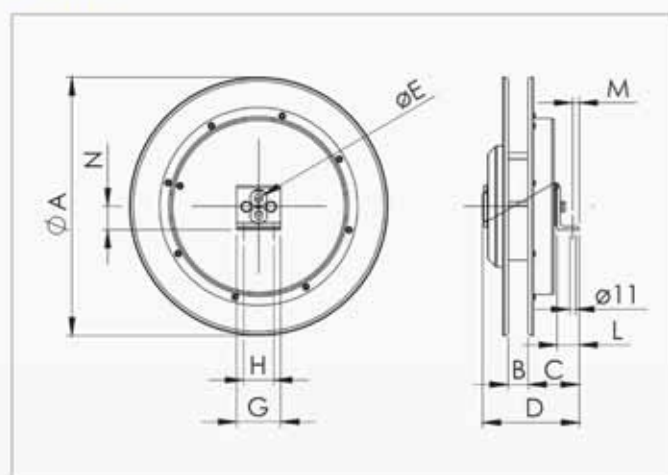
SERIE
2BA.12
90° SWIVEL

双排管液压卷筒 / 2 axial port hydraulic hose reels



Max 1/2"

外形尺寸 / Overall dimensions



性能参数 / Features

- 标准版(90° 雌性弯头)
- 双排管
- 温度范围:
-20/+80°C
- 工作压力:
400bar(40MPa)
- 最大回转速度:
30m/min

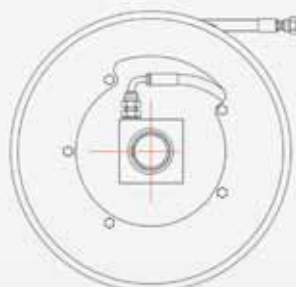
Standard version (inner fitting = 90° swivel female)

Twin hoses

Working temperature:
-20/+80 °C

Working pressure:
400 bar (40 MPa)

Max. rewinding speed: 30 m/min



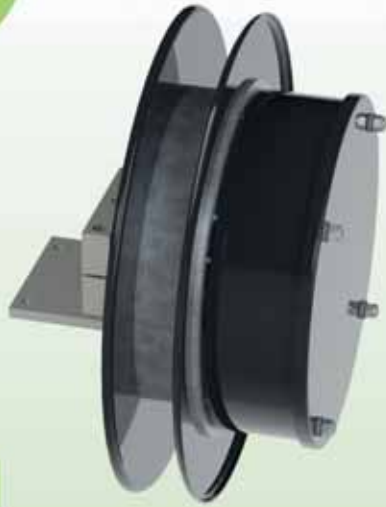
软管选型见第八页
See page 8 for hose choice.

旋转方向见第七页
See page 7 to define the rotation direction.

管长 Hose length m	管径 Hose Ø in	型号 Code	A mm	B mm	C mm	D mm	E in	G mm	H mm	L mm	M mm	N mm
1,5	1/2	A30B-2AQ12	300	46	95	187	1/2	80	55	40	12	42
2,4	1/2	A32B-2AQ12	320	46	95	187	1/2	80	55	40	12	42
2,4	1/2	A34B-2AQ12	340	46	95	187	1/2	80	55	40	12	42
5,3	1/4	A37B-2AQ14	370	26	85	177	1/4	80	55	40	12	42
4,3	5/16	A37B-2AQ516	370	31	95	187	3/8	80	55	40	12	42
4,4	3/8	A37B-2AQ38	370	36	95	187	3/8	80	55	40	12	42
3,5	1/2	A37B-2AQ12	370	46	95	187	1/2	80	55	40	12	42
6,5	1/4	A40B-2AQ14	400	26	85	177	1/4	80	55	40	12	42
5,4	5/16	A40B-2AQ516	400	31	95	187	3/8	80	55	40	12	42
5,6	3/8	A40B-2AQ38	400	36	95	187	3/8	80	55	40	12	42
4,7	1/2	A40B-2AQ12	400	46	95	187	1/2	80	55	40	12	42
6,5	1/4	A42B-2AQ14	420	26	85	177	1/4	80	55	40	12	42
6,6	5/16	A42B-2AQ516	420	31	95	187	3/8	80	55	40	12	42
5,6	3/8	A42B-2AQ38	420	36	95	187	3/8	80	55	40	12	42
4,7	1/2	A42B-2AQ12	420	46	95	187	1/2	80	55	40	12	42
9,2	1/4	A47B-2AQ14	470	26	85	177	1/4	80	55	40	12	42
9,4	5/16	A47B-2AQ516	470	31	95	187	3/8	80	55	40	12	42
8,3	3/8	A47B-2AQ38	470	36	95	187	3/8	80	55	40	12	42
6	1/2	A47B-2AQ12	470	46	95	187	1/2	80	55	40	12	42
12,3	1/4	A52B-2AQ14	520	26	85	177	1/4	80	55	40	12	42
10,9	5/16	A52B-2AQ516	520	31	95	187	3/8	80	55	40	12	42
9,9	3/8	A52B-2AQ38	520	36	95	187	3/8	80	55	40	12	42
9	1/2	A52B-2AQ12	520	46	95	187	1/2	80	55	40	12	42
15,7	1/4	A57B-2AQ14	570	26	85	177	1/4	80	55	40	12	42
14,2	5/16	A57B-2AQ516	570	31	95	187	3/8	80	55	40	12	42
13,2	3/8	A57B-2AQ38	570	36	95	187	3/8	80	55	40	12	42
10,7	1/2	A57B-2AQ12	570	46	95	187	1/2	80	55	40	12	42
14,5	1/4	A60B-2AQ14	600	26	85	177	1/4	80	55	40	12	42
14,7	5/16	A60B-2AQ516	600	31	95	187	3/8	80	55	40	12	42
13,5	3/8	A60B-2AQ38	600	36	95	187	3/8	80	55	40	12	42
10,6	1/2	A60B-2AQ12	600	46	95	187	1/2	80	55	40	12	42
18,3	1/4	A65B-2AQ14	650	26	85	177	1/4	80	55	40	12	42
16,6	5/16	A65B-2AQ516	650	31	95	187	3/8	80	55	40	12	42
15,4	3/8	A65B-2AQ38	650	36	95	187	3/8	80	55	40	12	42
12,5	1/2	A65B-2AQ12	650	46	95	187	1/2	80	55	40	12	42
22,5	1/4	A72B-2AQ14	720	26	85	177	1/4	80	55	40	12	42
20,7	5/16	A72B-2AQ516	720	31	95	187	3/8	80	55	40	12	42
19,6	3/8	A72B-2AQ38	720	36	95	187	3/8	80	55	40	12	42
16,7	1/2	A72B-2AQ12	720	46	95	187	1/2	80	55	40	12	42
27,2	5/16	A82B-2AQ516	820	31	95	187	3/8	80	55	40	12	42
23,7	3/8	A82B-2AQ38	820	36	95	187	3/8	80	55	40	12	42
20,4	1/2	A82B-2AQ12	820	46	95	187	1/2	80	55	40	12	42

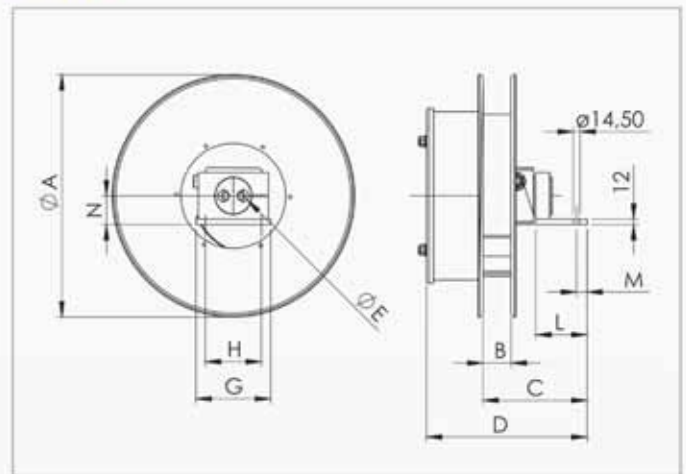
SERIE
2BA.34
FLANGE

双管液压卷筒 / 2 axial port hydraulic hose reels



Max 3/4"

外形尺寸 / Overall dimensions



性能参数 / Features

- 法兰型 连接
- 温度范围:
-20/+80℃
- 工作压力:
400bar(40MPa)
- 最大回卷速度:
30m/min

Versione flange

Working temperature:
-20/+80 °C

Working pressure:
400 bar (40 MPa)

Max. rewinding speed:
30 m/min

管长 Hose length m	管径 Hose Ø in	型号 Code	A mm	B mm	C mm	D mm	E in	G mm	H mm	L mm	M mm	N mm
10,3	3/8	A60B-2AQ38	600	36	223	344	3/8	160	120	110	15	62
8,9	1/2	A60B-2AQ12	600	46	223	344	1/2	160	120	110	15	62
16,3	3/8	A72B-2AQ38	720	36	223	344	3/8	160	120	110	15	62
12,9	1/2	A72B-2AQ12	720	46	223	344	1/2	160	120	110	15	62
11,5	5/8	A72B-2AQ58	720	52	223	400	5/8	160	120	110	15	62
5,8	3/4	A72B-2AQ34	720	58	223	400	3/4	160	120	110	15	62
19,8	1/2	A82B-2AQ12	820	46	223	344	1/2	160	120	110	15	62
16,3	5/8	A82B-2AQ58	820	52	223	400	5/8	160	120	110	15	62
14,3	3/4	A82B-2AQ34	820	58	223	400	3/4	160	120	110	15	62
25	1/2	A92B-2AQ12	920	46	223	400	1/2	160	120	110	15	62
21,5	5/8	A92B-2AQ58	920	52	223	400	5/8	160	120	110	15	62
19,6	3/4	A92B-2AQ34	920	58	223	400	3/4	160	120	110	15	62

软管选型见第八页
See page 8 for hose choice.

旋转方向见第七页
See page 7 to define the rotation direction.

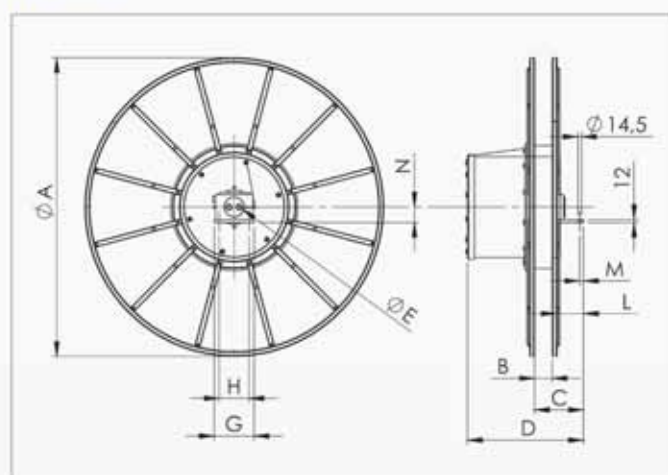
SERIE
2BA.34
RUOTA

双管液压卷筒 / 2 axial port hydraulic hose reels



Max 3/4"

外形尺寸 / Overall dimensions



性能参数 / Features

- 轮毂式
- 温度范围：
-20/+80℃
- 工作压力：
400bar(40MPa)
- 最大回卷速度：
30m/min

Versione ruota

Working temperature:
-20/+80 °C

Working pressure:
400 bar (40 MPa)

Max. rewinding speed:
30 m/min

管长 Hose length m	管径 Hose Ø in	型号 Code	A mm	B mm	C mm	D mm	E In	G mm	H mm	L mm	M mm	N mm
27,8	1/2	A100B-2AQ12	1000	46	196	470	1/2	160	120	110	15	62
23,4	5/8	A100B-2AQ58	1000	52	196	470	5/8	160	120	110	15	62
21	3/4	A100B-2AQ34	1000	58	196	530	3/4	160	120	110	15	62
44,8	1/2	A120B-2AQ12	1200	46	196	470	1/2	160	120	110	15	62
37,2	5/8	A120B-2AQ58	1200	52	196	530	5/8	160	120	110	15	62
31,1	3/4	A120B-2AQ34	1200	58	196	530	3/4	160	120	110	15	62
64,9	1/2	A140B-2AQ12	1400	46	196	530	1/2	160	120	110	15	62
53,4	5/8	A140B-2AQ58	1400	52	196	530	5/8	160	120	110	15	62
47	3/4	A140B-2AQ34	1400	58	196	530	3/4	160	120	110	15	62

软管选型见第八页
See page 8 for hose choice.

旋转方向见第七页
See page 7 to define the rotation direction.

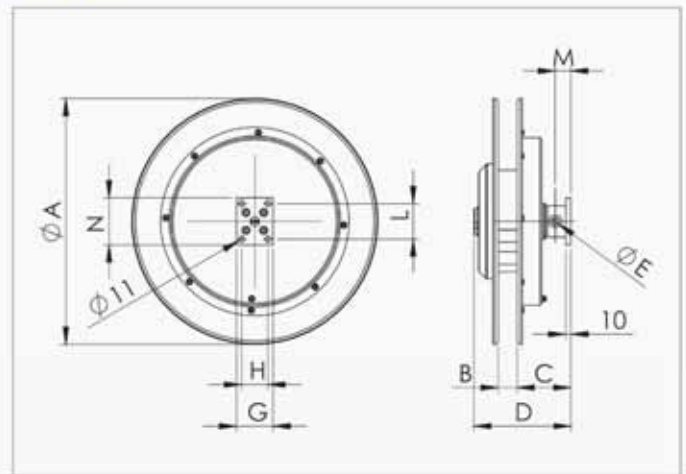
SERIE
2BR.12
BANJO

双管液压卷筒 / 2 radial port hydraulic hose reels



Max 3/8"

外形尺寸 / Overall dimensions



性能参数 / Features

- 紧凑型(班卓琴连接)
- 温度范围:
-20/+80℃
- 工作压力:
400bar(40MPa)
- 最大回卷速度:
30m/min

Compact version
(inner fitting = Banjo)

Working temperature:
-20/+80 °C

Working pressure:
400 bar (40 MPa)

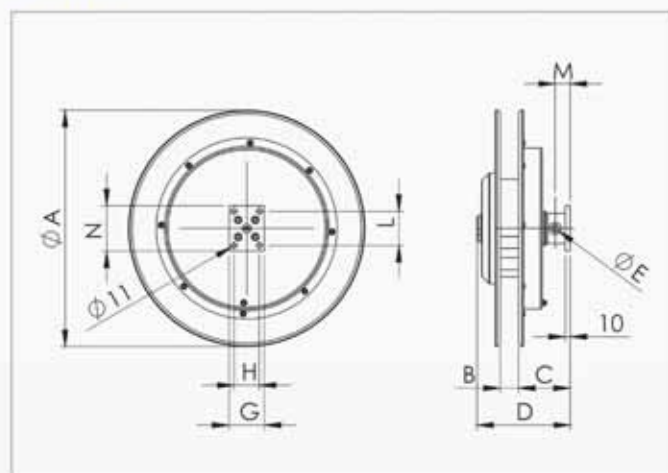
Max. rewinding speed:
30 m/min



软管选型见第八页
See page 8 for hose choice.

旋转方向见第七页
See page 7 to define the rotation direction.

管长 Hose length m	管径 Hose Ø in	型号 Code	A mm	B mm	C mm	D mm	E in	G mm	H mm	L mm	M mm	N mm
1,5	3/16	A20B-2RQ316	200	22	95	175	1/4"	70	50	68	30	90
1	1/4	A20B-2RQ14	200	27	105	185	1/4"	70	50	68	30	90
2,2	3/16	A23B-2RQ316	230	22	95	175	1/4"	70	50	68	30	90
1,6	1/4	A23B-2RQ14	230	27	105	185	1/4"	70	50	68	30	90
1,7	5/16	A23B-2RQ516	230	32	105	185	3/8"	70	50	68	30	90
1,7	3/8	A23B-2RQ38	230	36	105	185	3/8"	70	50	68	30	90
3,7	3/16	A27B-2RQ316	270	22	95	175	1/4"	70	50	68	30	90
3,1	1/4	A27B-2RQ14	270	27	105	185	1/4"	70	50	68	30	90
2,4	5/16	A27B-2RQ516	270	32	105	185	3/8"	70	50	68	30	90
2,5	3/8	A27B-2RQ38	270	36	105	185	3/8"	70	50	68	30	90
4,6	3/16	A30B-2RQ316	300	22	95	175	1/4"	70	50	68	30	90
4	1/4	A30B-2RQ14	300	27	105	185	1/4"	70	50	68	30	90
3,2	5/16	A30B-2RQ516	300	32	105	185	3/8"	70	50	68	30	90
3,4	3/8	A30B-2RQ38	300	36	105	185	3/8"	70	50	68	30	90
4,9	1/4	A32B-2RQ14	320	27	105	185	3/8"	70	50	68	30	90
4,2	5/16	A32B-2RQ516	320	32	105	185	3/8"	70	50	68	30	90
3,4	3/8	A32B-2RQ38	320	36	105	185	3/8"	70	50	68	30	90
4,9	1/4	A34B-2RQ14	340	27	105	185	3/8"	70	50	68	30	90
5,2	5/16	A34B-2RQ516	340	32	105	185	3/8"	70	50	68	30	90
4,4	3/8	A34B-2RQ38	340	36	105	185	3/8"	70	50	68	30	90


Max 1/2"
外形尺寸 / Overall dimensions

性能参数 / Features

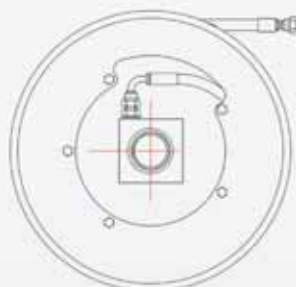
- 标准型(90° 雌性弯头)
- 温度范围:
-20/+80°C
- 工作压力:
400bar(40MPa)
- 最大回卷速度:
30m/min

Standard version (inner fitting
= 90° swivel female)

Working temperature:
-20/+80 °C

Working pressure:
400 bar (40 MPa)

Max. rewinding speed:
30 m/min



软管选型见第八页
See page 8 for hose choice.

旋转方向见第七页
See page 7 to define the rotation direction.

管长 Hose length m	管径 Hose Ø in	型号 Code	A mm	B mm	C mm	D mm	E in	G mm	H mm	L mm	M mm	N mm
1,5	1/2	A30B-2RQ12	300	46	105	185	1/2"	70	50	68	30	90
2,4	1/2	A32B-2RQ12	320	46	105	185	1/2"	70	50	68	30	90
2,4	1/2	A34B-2RQ12	340	46	105	185	1/2"	70	50	68	30	90
5,3	1/4	A37B-2RQ14	370	27	105	185	1/4"	70	50	68	30	90
4,3	5/16	A37B-2RQ516	370	32	105	185	3/8"	70	50	68	30	90
4,4	3/8	A37B-2RQ38	370	36	105	185	3/8"	70	50	68	30	90
3,5	1/2	A37B-2RQ12	370	46	105	185	1/2"	70	50	68	30	90
6,5	1/4	A40B-2RQ14	400	27	105	185	1/4"	70	50	68	30	90
5,4	5/16	A40B-2RQ516	400	32	105	185	3/8"	70	50	68	30	90
5,6	3/8	A40B-2RQ38	400	36	105	185	3/8"	70	50	68	30	90
4,7	1/2	A40B-2RQ12	400	46	105	185	1/2"	70	50	68	30	90
6,5	1/4	A42B-2RQ14	420	27	105	185	1/4"	70	50	68	30	90
6,6	5/16	A42B-2RQ516	420	32	105	185	3/8"	70	50	68	30	90
5,6	3/8	A42B-2RQ38	420	36	105	185	3/8"	70	50	68	30	90
4,7	1/2	A42B-2RQ12	420	46	105	185	1/2"	70	50	68	30	90
9,2	1/4	A47B-2RQ14	470	27	105	185	1/4"	70	50	68	30	90
9,4	5/16	A47B-2RQ516	470	32	105	185	3/8"	70	50	68	30	90
8,3	3/8	A47B-2RQ38	470	36	105	185	3/8"	70	50	68	30	90
6	1/2	A47B-2RQ12	470	46	105	185	1/2"	70	50	68	30	90
12,3	1/4	A52B-2RQ14	520	27	105	185	1/4"	70	50	68	30	90
10,9	5/16	A52B-2RQ516	520	32	105	185	3/8"	70	50	68	30	90
9,9	3/8	A52B-2RQ38	520	36	105	185	3/8"	70	50	68	30	90
9	1/2	A52B-2RQ12	520	46	105	185	1/2"	70	50	68	30	90
15,7	1/4	A57B-2RQ14	570	27	105	185	1/4"	70	50	68	30	90
14,2	5/16	A57B-2RQ516	570	32	105	185	3/8"	70	50	68	30	90
13,2	3/8	A57B-2RQ38	570	36	105	185	3/8"	70	50	68	30	90
10,7	1/2	A57B-2RQ12	570	46	105	185	1/2"	70	50	68	30	90
14,5	1/4	A60B-2RQ14	600	27	105	185	1/4"	70	50	68	30	90
14,7	5/16	A60B-2RQ516	600	32	105	185	3/8"	70	50	68	30	90
13,5	3/8	A60B-2RQ38	600	36	105	185	3/8"	70	50	68	30	90
10,6	1/2	A60B-2RQ12	600	46	105	185	1/2"	70	50	68	30	90
18,3	1/4	A65B-2RQ14	650	27	105	185	1/4"	70	50	68	30	90
16,6	5/16	A65B-2RQ516	650	32	105	185	3/8"	70	50	68	30	90
15,4	3/8	A65B-2RQ38	650	36	105	185	3/8"	70	50	68	30	90
12,5	1/2	A65B-2RQ12	650	46	105	185	1/2"	70	50	68	30	90
22,5	1/4	A72B-2RQ14	720	27	105	185	1/4"	70	50	68	30	90
20,7	5/16	A72B-2RQ516	720	32	105	185	3/8"	70	50	68	30	90
19,6	3/8	A72B-2RQ38	720	36	105	185	3/8"	70	50	68	30	90
16,7	1/2	A72B-2RQ12	720	46	105	185	1/2"	70	50	68	30	90
27,2	5/16	A82B-2RQ516	820	32	105	185	3/8"	70	50	68	30	90
23,7	3/8	A82B-2RQ38	820	36	105	185	3/8"	70	50	68	30	90
20,4	1/2	A82B-2RQ12	820	46	105	185	1/2"	70	50	68	30	90

SERIE
2BR.34

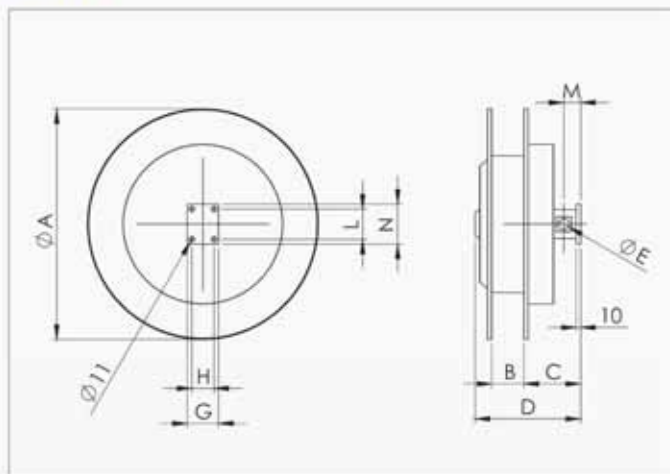
双管液压卷筒 / 2 radial port hydraulic hose reels

GLOREEL
吉罗瑞



Max 3/4"

外形尺寸 / Overall dimensions



性能参数 / Features

- 独立单管
- 温度范围:
-20/+80°C
- 工作压力:
400bar (40MPa)
- 最大回卷速度:
30m/min

Single hoses

Working temperature:
-20/+80 °C

Working pressure:
400 bar (40 MPa)

Max. rewinding speed:
30 m/min

管长 Hose length m	管径 Hose Ø in	型号 Code	A mm	B mm	C mm	D mm	E in	G mm	H mm	L mm	M mm	N mm
3,4	1/2	A42B-2RQ12	420	46	128	238	1/2	70	50	68	38	90
2,2	5/8	A42B-2RQ58	420	52	128	238	5/8	70	50	68	38	90
2,2	3/4	A42B-2RQ34	420	58	128	238	3/4	70	50	68	38	90
4,8	1/2	A47B-2RQ12	470	46	128	238	1/2	70	50	68	38	90
3,5	5/8	A47B-2RQ58	470	52	128	238	5/8	70	50	68	38	90
3,6	3/4	A47B-2RQ34	470	58	128	238	3/4	70	50	68	38	90
6,3	1/2	A52B-2RQ12	520	46	128	238	1/2	70	50	68	38	90
5	5/8	A52B-2RQ58	520	52	128	238	5/8	70	50	68	38	90
5,2	3/4	A52B-2RQ34	520	58	128	238	3/4	70	50	68	38	90
7,9	1/2	A57B-2RQ12	570	46	128	238	1/2	70	50	68	38	90
6,7	5/8	A57B-2RQ58	570	52	128	238	5/8	70	50	68	38	90
5,2	3/4	A57B-2RQ34	570	58	128	238	3/4	70	50	68	38	90
9,7	1/2	A60B-2RQ12	600	46	128	238	1/2	70	50	68	38	90
8,5	5/8	A60B-2RQ58	600	52	128	238	5/8	70	50	68	38	90
6,9	3/4	A60B-2RQ34	600	58	128	238	3/4	70	50	68	38	90
11,6	1/2	A65B-2RQ12	650	46	128	238	1/2	70	50	68	38	90
10,4	5/8	A65B-2RQ58	650	52	128	238	5/8	70	50	68	38	90
8,8	3/4	A65B-2RQ34	650	58	128	238	3/4	70	50	68	38	90
13,6	1/2	A72B-2RQ12	720	46	128	238	1/2	70	50	68	38	90
12,6	5/8	A72B-2RQ58	720	52	128	238	5/8	70	50	68	38	90
10,8	3/4	A72B-2RQ34	720	58	128	238	3/4	70	50	68	38	90
20,4	1/2	A82B-2RQ12	820	46	128	238	1/2	70	50	68	38	90
17,3	5/8	A82B-2RQ58	820	52	128	238	5/8	70	50	68	38	90
15,5	3/4	A82B-2RQ34	820	58	128	238	3/4	70	50	68	38	90
25,6	1/2	A92B-2RQ12	920	46	128	238	1/2	70	50	68	38	90
22,6	5/8	A92B-2RQ58	920	52	128	238	5/8	70	50	68	38	90
18,1	3/4	A92B-2RQ34	920	58	128	238	3/4	70	50	68	38	90

软管选型见第八页
See page 8 for hose choice.

旋转方向见第七页
See page 7 to define the rotation direction.

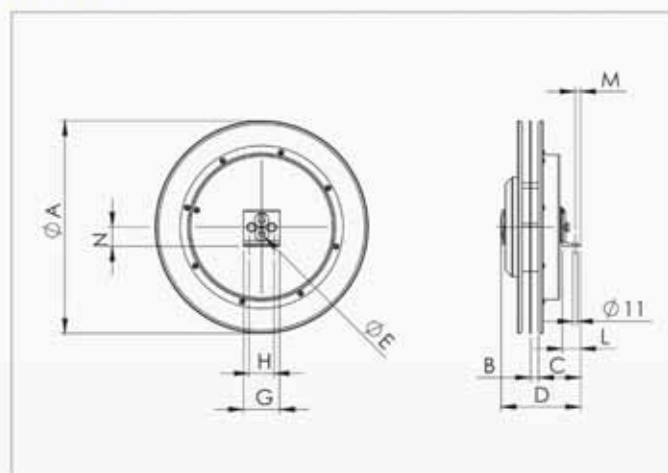
SERIE
2SA.12
BANJO

双管隔离液压卷筒 / 2 axial port hydraulic hose reels



Max 3/8"

外形尺寸 / Overall dimensions



性能参数 / Features

- 紧凑型(班卓琴连接)
- 单管隔离
- 温度范围
-20/+80°C
- 工作压力:
400bar(40MPa)
- 最大回卷速度:
30m/min

Compact version
(inner fitting = Banjo)

Single hoses

Working temperature: -20/+80 °C

Working pressure:
400 bar (40 MPa)

Max. rewinding speed: 30 m/min



软管选型见第八页
See page 8 for hose choice.

旋转方向见第七页
See page 7 to define the rotation direction.

管长 Hose length m	管径 Hose Ø in	型号 Code	A mm	B mm	C mm	D mm	E in	G mm	H mm	L mm	M mm	N mm
1,5	3/16	A205-2AQ316	200	22	85	177	1/4	80	55	40	12	42
1	1/4	A205-2AQ14	200	27	85	177	1/4	80	55	40	12	42
2,2	3/16	A235-2AQ316	230	22	85	177	1/4	80	55	40	12	42
1,7	1/4	A235-2AQ14	230	27	85	177	1/4	80	55	40	12	42
1	5/16	A235-2AQ516	230	32	95	187	3/8	80	55	40	12	42
1,1	3/8	A235-2AQ38	230	36	95	187	3/8	80	55	40	12	42
3,7	3/16	A235-2AQ12	230	46	95	187	1/2	80	55	40	12	42
2,4	1/4	A275-2AQ316	270	22	85	177	1/4	80	55	40	12	42
2,5	5/16	A275-2AQ14	270	27	85	177	1/4	80	55	40	12	42
1,8	3/8	A275-2AQ516	270	32	95	187	3/8	80	55	40	12	42
4,6	3/16	A275-2AQ38	270	36	95	187	3/8	80	55	40	12	42
3,3	1/4	A305-2AQ14	300	27	85	177	1/4	80	55	40	12	42
2,5	5/16	A305-2AQ516	300	32	95	187	3/8	80	55	40	12	42
2,6	3/8	A305-2AQ38	300	36	95	187	3/8	80	55	40	12	42
4,2	1/4	A325-2AQ14	320	27	85	177	1/4	80	55	40	12	42
3,4	5/16	A325-2AQ516	320	32	95	187	3/8	80	55	40	12	42
2,6	3/8	A325-2AQ38	320	36	95	187	3/8	80	55	40	12	42
4,2	1/4	A345-2AQ14	340	27	85	177	1/4	80	55	40	12	42
4,4	5/16	A345-2AQ516	340	32	95	187	3/8	80	55	40	12	42
3,6	3/8	A345-2AQ38	340	36	95	187	3/8	80	55	40	12	42

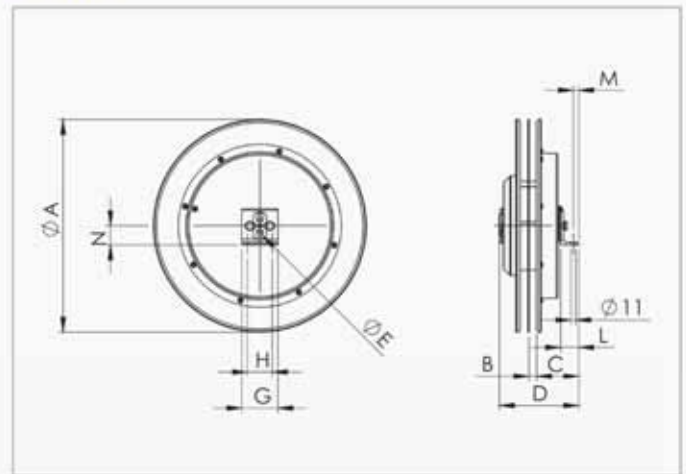
SERIE
2SA.12
90° SWIVEL

双管隔离液压卷筒 / 2 axial port hydraulic hose reels



Max 1/2"

外形尺寸 / Overall dimensions



性能参数 / Features

- 标准型(90° 雌性弯头)
- 双管隔离
- 温度范围
-20/+80℃
- 工作压力:
400bar(40MPa)
- 最大回卷速度:
30m/min

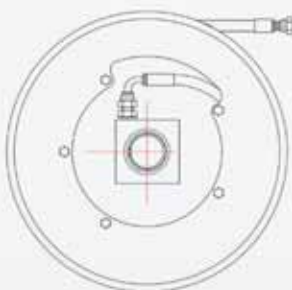
Standard version (inner fitting = 90° swivel female)

Single hoses

Working temperature: -20/+80 °C

Working pressure:
400 bar (40 MPa)

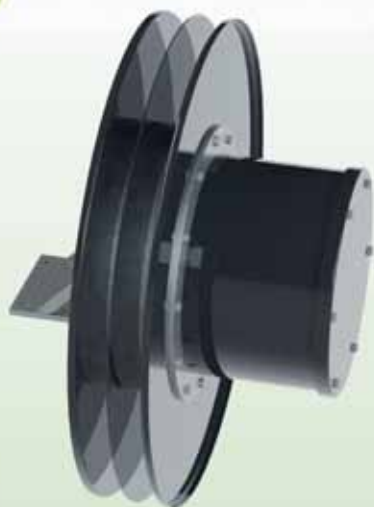
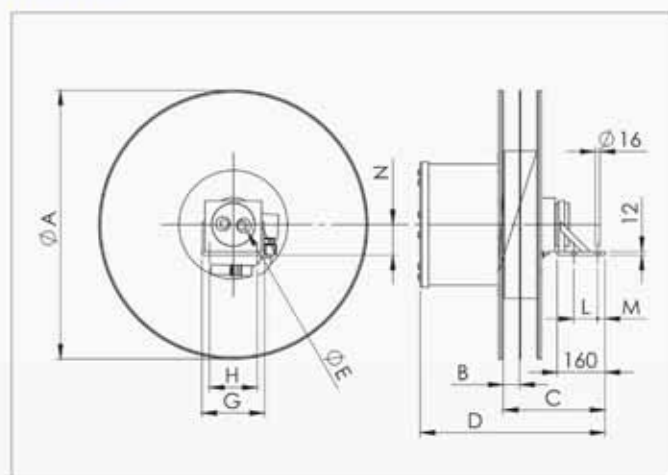
Max. rewinding speed:
30 m/min



软管选型见第八页
See page 8 for hose choice.

旋转方向见第七页
See page 7 to define the rotation direction.

管长 Hose length m	管径 Hose Ø in	型号 Code	A mm	B mm	C mm	D mm	E in	G mm	H mm	L mm	M mm	N mm
1,5	1/2	A305-2AQ12	300	23	95	187	1/2	80	55	40	12	42
1,5	1/2	A325-2AQ12	320	23	95	187	1/2	80	55	40	12	42
1,5	1/2	A345-2AQ12	340	23	95	187	1/2	80	55	40	12	42
4,3	1/4	A375-2AQ14	370	13,5	85	177	1/4	80	55	40	12	42
4,4	5/16	A375-2AQ516	370	16	95	187	3/8	80	55	40	12	42
3,5	3/8	A375-2AQ38	370	18	95	187	3/8	80	55	40	12	42
2,5	1/2	A375-2AQ12	370	23	95	187	1/2	80	55	40	12	42
5,5	1/4	A405-2AQ14	400	13,5	85	177	1/4	80	55	40	12	42
4,4	5/16	A405-2AQ516	400	16	95	187	3/8	80	55	40	12	42
3,5	3/8	A405-2AQ38	400	18	95	187	3/8	80	55	40	12	42
3,7	1/2	A405-2AQ12	400	23	95	187	1/2	80	55	40	12	42
6,7	1/4	A425-2AQ14	420	13,5	85	177	1/4	80	55	40	12	42
5,7	5/16	A425-2AQ516	420	16	95	187	3/8	80	55	40	12	42
4,8	3/8	A425-2AQ38	420	18	95	187	3/8	80	55	40	12	42
3,7	1/2	A405-2AQ12	420	23	95	187	1/2	80	55	40	12	42
8,1	1/4	A475-2AQ14	470	13,5	85	177	1/4	80	55	40	12	42
7	5/16	A475-2AQ516	470	16	95	187	3/8	80	55	40	12	42
6,1	3/8	A475-2AQ38	470	18	95	187	3/8	80	55	40	12	42
5	1/2	A405-2AQ12	470	23	95	187	1/2	80	55	40	12	42
11,1	1/4	A525-2AQ14	520	13,5	85	177	1/4	80	55	40	12	42
9,9	5/16	A525-2AQ516	520	16	95	187	3/8	80	55	40	12	42
7,6	3/8	A525-2AQ38	520	18	95	187	3/8	80	55	40	12	42
6,5	1/2	A525-2AQ12	520	23	95	187	1/2	80	55	40	12	42
12,7	1/4	A575-2AQ14	570	13,5	85	177	1/4	80	55	40	12	42
11,6	5/16	A575-2AQ516	570	16	95	187	3/8	80	55	40	12	42
9,2	3/8	A575-2AQ38	570	18	95	187	3/8	80	55	40	12	42
8,1	1/2	A575-2AQ12	570	23	95	187	1/2	80	55	40	12	42
13,1	1/4	A605-2AQ14	600	13,5	85	177	1/4	80	55	40	12	42
11,8	5/16	A605-2AQ516	600	16	95	187	3/8	80	55	40	12	42
9	3/8	A605-2AQ38	600	18	95	187	3/8	80	55	40	12	42
7,7	1/2	A605-2AQ12	600	23	95	187	1/2	80	55	40	12	42
16,9	1/4	A655-2AQ14	650	13,5	85	177	1/4	80	55	40	12	42
15,6	5/16	A655-2AQ516	650	16	95	187	3/8	80	55	40	12	42
12,8	3/8	A655-2AQ38	650	18	95	187	3/8	80	55	40	12	42
9,5	1/2	A655-2AQ12	650	23	95	187	1/2	80	55	40	12	42
21,1	1/4	A725-2AQ14	720	13,5	85	177	1/4	80	55	40	12	42
17,6	5/16	A725-2AQ516	720	16	95	187	3/8	80	55	40	12	42
14,9	3/8	A725-2AQ38	720	18	95	187	3/8	80	55	40	12	42
11,5	1/2	A725-2AQ12	720	23	95	187	1/2	80	55	40	12	42
23,8	5/16	A825-2AQ516	820	16	95	187	3/8	80	55	40	12	42
18,5	3/8	A825-2AQ38	820	18	95	187	3/8	80	55	40	12	42
17,2	1/2	A825-2AQ12	820	23	95	187	1/2	80	55	40	12	42


Max 1"
外形尺寸 / Overall dimensions

性能参数 / Features

- 双管隔离
- 温度范围：
-20/+80℃
- 工作压力：
400bar(40MPa)
- 最大回卷速度
30m/min

Single hoses
*Working temperature:
-20/+80 °C*
*Working pressure:
400 bar (40 MPa)*
*Max. rewinding speed:
30 m/min*

管长 Hose length m	管径 Hose Ø in	型号 Code	A mm	B mm	C mm	D mm	E in	G mm	H mm	L mm	M mm	N mm
3,4	3/8	A605-2AQ38	600	18	340	620	3/8	210	160	80	25	102
3,4	1/2	A605-2AQ12	600	23	340	620	1/2	210	160	80	25	102
7,3	3/8	A725-2AQ38	720	18	340	620	3/8	210	160	80	25	102
7,5	1/2	A725-2AQ12	720	23	340	620	1/2	210	160	80	25	102
5,5	5/8	A725-2AQ58	720	30	340	620	5/8	210	160	80	25	102
5,6	3/4	A725-2AQ34	720	32	340	620	3/4	210	160	80	25	102
3,6	1	A725-2AQ1	720	40	340	620	1	210	160	80	25	102
12,1	1/2	A825-2AQ12	820	23	340	620	1/2	210	160	80	25	102
10	5/8	A825-2AQ58	820	30	340	620	5/8	210	160	80	25	102
7,8	3/4	A825-2AQ34	820	32	340	620	3/4	210	160	80	25	102
5,8	1	A825-2AQ1	820	40	340	620	1	210	160	80	25	102
17,4	1/2	A925-2AQ12	920	23	340	620	1/2	210	160	80	25	102
15,3	5/8	A925-2AQ58	920	30	340	620	5/8	210	160	80	25	102
12,9	3/4	A925-2AQ34	920	32	340	620	3/4	210	160	80	25	102
10,9	1	A925-2AQ1	920	40	340	620	1	210	160	80	25	102

 软管选型见第八页
 See page 8 for hose choice.

 旋转方向见第七页
 See page 7 to define the rotation direction.

SERIE
2SA.10

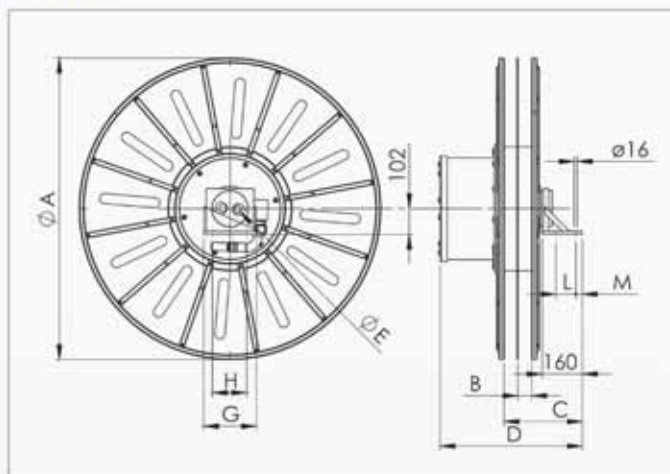
双管隔离液压卷筒 / 2 axial port hydraulic hose reels

GLORREEL
吉罗瑞



Max 1"

外形尺寸 / Overall dimensions



性能参数 / Features

- 双管隔离
- 温度范围:
-20/+80℃
- 工作压力:
400bar(40MPa)
- 最大回卷速度
30m/min

Single hoses

Working temperature:
-20/+80 °C

Working pressure:
400 bar (40 MPa)

Max. rewinding speed:
30 m/min

管长 Hose length m	管径 Hose Ø in	型号 Code	A mm	B mm	C mm	D mm	E in	G mm	H mm	L mm	M mm	N mm
23,3	1/2	A1005-2AQ12	1000	23	311	620	1/2	210	160	80	25	102
18,2	5/8	A1005-2AQ58	1000	30	311	620	5/8	210	160	80	25	102
15,8	3/4	A1005-2AQ34	1000	32	311	620	3/4	210	160	80	25	102
13,8	1	A1005-2AQ1	1000	40	311	620	1	210	160	80	25	102
36,9	1/2	A1205-2AQ12	1200	23	311	620	1/2	210	160	80	25	102
31,6	5/8	A1205-2AQ58	1200	30	311	620	5/8	210	160	80	25	102
29,3	3/4	A1205-2AQ34	1200	32	311	620	3/4	210	160	80	25	102
20,4	1	A1205-2AQ1	1200	40	311	620	1	210	160	80	25	102
53	1/2	A1405-2AQ12	1400	23	311	620	1/2	210	160	80	25	102
43,5	5/8	A1405-2AQ58	1400	30	311	620	5/8	210	160	80	25	102
41,5	3/4	A1405-2AQ34	1400	32	311	620	3/4	210	160	80	25	102
32,2	1	A1405-2AQ1	1400	40	311	620	1	210	160	80	25	102

软管选型见第八页
See page 8 for hose choice.

旋转方向见第七页
See page 7 to define the rotation direction.

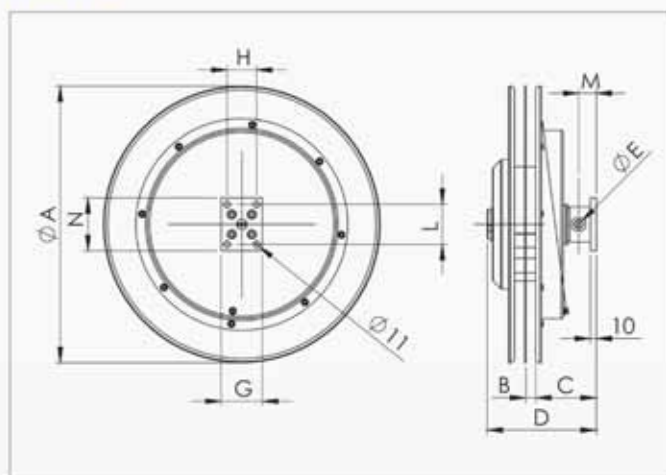
SERIE
2SR.12
BANJO

双管隔离液压卷筒 / 2 radial port hydraulic hose reels



Max 3/8"

外形尺寸 / Overall dimensions



性能参数 / Features

- 紧凑型(班卓琴连接)
- 双管隔离
- 温度范围
-20/+80℃
- 工作压力
400bar(40MPa)
- 最大回卷速度
30m/min

Compact version
(inner fitting = Banjo)

Single hoses

Working temperature: -20/+80 °C

Working pressure:
400 bar (40 MPa)

Max. rewinding speed: 30 m/min



软管选型见第八页
See page 8 for hose choice.

旋转方向见第七页
See page 7 to define the rotation direction.

管长 Hose length m	管径 Hose Ø in	型号 Code	A mm	B mm	C mm	D mm	E in	G mm	H mm	L mm	M mm	N mm
1,5	3/16	A205-2RQ316	200	11	95	175	3/16	70	50	68	30	90
1	1/4	A205-2RQ14	200	13,5	105	185	1/4	70	50	68	30	90
2,2	3/16	A235-2RQ316	230	11	95	175	3/16	70	50	68	30	90
1,7	1/4	A235-2RQ14	230	13,5	105	185	1/4	70	50	68	30	90
1	5/16	A235-2RQ516	230	16	105	185	5/16	70	50	68	30	90
1,1	3/8	A235-2RQ38	230	18	105	185	3/8	70	50	68	30	90
3,7	3/16	A275-2RQ12	270	11	95	175	3/16	70	50	68	30	90
2,4	1/4	A275-2RQ316	270	13,5	105	185	1/4	70	50	68	30	90
2,5	5/16	A275-2RQ14	270	16	105	185	5/16	70	50	68	30	90
1,8	3/8	A275-2RQ516	270	18	105	185	3/8	70	50	68	30	90
4,6	3/16	A305-2RQ38	300	11	95	175	3/16	70	50	68	30	90
3,3	1/4	A305-2RQ14	300	13,5	105	185	1/4	70	50	68	30	90
2,5	5/16	A305-2RQ516	300	16	105	185	5/16	70	50	68	30	90
2,6	3/8	A305-2RQ38	300	18	105	185	3/8	70	50	68	30	90
4,2	1/4	A325-2RQ14	320	13,5	105	185	1/4	70	50	68	30	90
3,4	5/16	A325-2RQ516	320	16	105	185	5/16	70	50	68	30	90
2,6	3/8	A325-2RQ38	320	18	105	185	3/8	70	50	68	30	90
4,2	1/4	A345-2RQ14	340	13,5	105	185	1/4	70	50	68	30	90
4,4	5/16	A345-2RQ516	340	16	105	185	5/16	70	50	68	30	90
3,6	3/8	A345-2RQ38	340	18	105	185	3/8	70	50	68	30	90

SERIE
2SR.12
90° SWIVEL

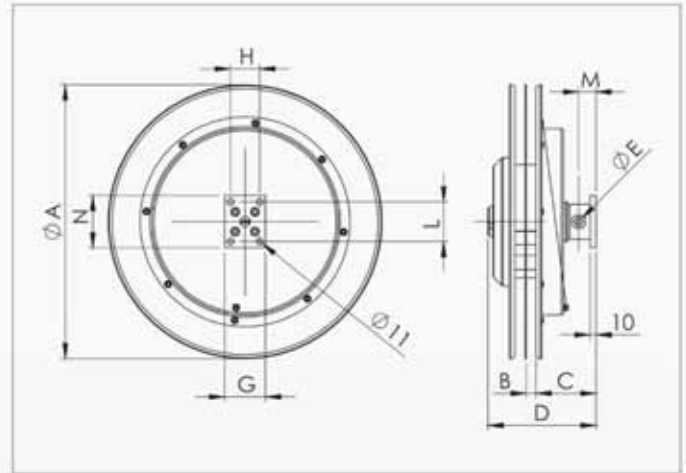
双管隔离液压卷筒 / 2 radial port hydraulic hose reels

GLOREEL
吉罗瑞



Max1/2"

外形尺寸 / Overall dimensions



性能参数 / Features

- 标准型(90° 雌性弯头)
- 双管隔离
- 温度范围
-20/+80℃
- 工作压力:
400bar(40MPa)
- 最大回卷速度:
30m/min

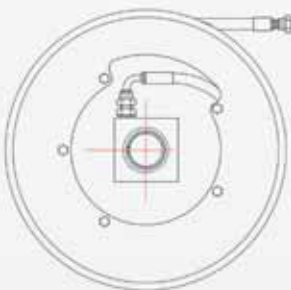
Standard version (inner fitting = 90° swivel female)

Single hoses

Working temperature: -20/+80 °C

Working pressure:
400 bar (40 MPa)

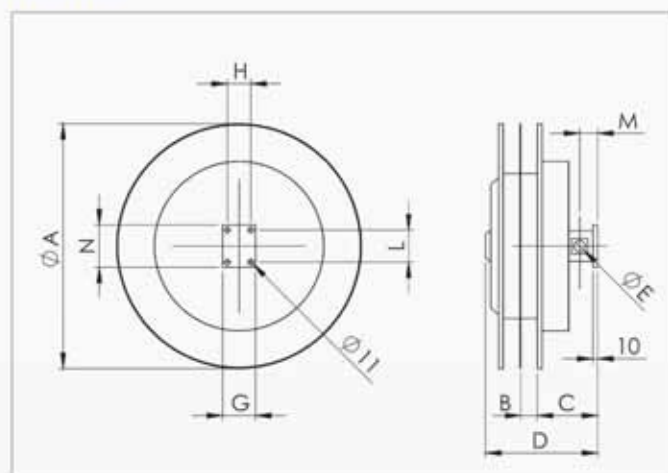
Max. rewinding speed:
30 m/min



软管选型见第八页
See page 8 for hose choice.

旋转方向见第七页
See page 7 to define the rotation direction.

管长 Hose length m	管径 Hose Ø in	型号 Code	A mm	B mm	C mm	D mm	E in	G mm	H mm	L mm	M mm	N mm
1,5	1/2	A305-2RQ12	300	23	105	185	1/2	70	50	68	30	90
1,5	1/2	A325-2RQ12	320	23	105	185	1/2	70	50	68	30	90
1,5	1/2	A345-2RQ12	340	23	105	185	1/2	70	50	68	30	90
4,3	1/4	A375-2RQ14	370	13,5	105	185	1/4	70	50	68	30	90
4,4	5/16	A375-2RQ516	370	16	105	185	5/16	70	50	68	30	90
3,5	3/8	A375-2RQ38	370	18	105	185	3/8	70	50	68	30	90
2,5	1/2	A375-2RQ12	370	23	105	185	1/2	70	50	68	30	90
5,5	1/4	A405-2RQ14	400	13,5	105	185	1/4	70	50	68	30	90
4,4	5/16	A405-2RQ516	400	16	105	185	5/16	70	50	68	30	90
3,5	3/8	A405-2RQ38	400	18	105	185	3/8	70	50	68	30	90
3,7	1/2	A405-2RQ12	400	23	105	185	1/2	70	50	68	30	90
6,7	1/4	A425-2RQ14	420	13,5	105	185	1/4	70	50	68	30	90
5,7	5/16	A425-2RQ516	420	16	105	185	5/16	70	50	68	30	90
4,8	3/8	A425-2RQ38	420	18	105	185	3/8	70	50	68	30	90
3,7	1/2	A425-2RQ12	420	23	105	185	1/2	70	50	68	30	90
8,1	1/4	A475-2RQ14	470	13,5	105	185	1/4	70	50	68	30	90
7	5/16	A475-2RQ516	470	16	105	185	5/16	70	50	68	30	90
6,1	3/8	A475-2RQ38	470	18	105	185	3/8	70	50	68	30	90
5	1/2	A475-2RQ12	470	23	105	185	1/2	70	50	68	30	90
11,1	1/4	A525-2RQ14	520	13,5	105	185	1/4	70	50	68	30	90
9,9	5/16	A525-2RQ516	520	16	105	185	5/16	70	50	68	30	90
7,6	3/8	A525-2RQ38	520	18	105	185	3/8	70	50	68	30	90
6,5	1/2	A525-2RQ12	520	23	105	185	1/2	70	50	68	30	90
12,7	1/4	A575-2RQ14	570	13,5	105	185	1/4	70	50	68	30	90
11,6	5/16	A575-2RQ516	570	16	105	185	5/16	70	50	68	30	90
9,2	3/8	A575-2RQ38	570	18	105	185	3/8	70	50	68	30	90
8,1	1/2	A575-2RQ12	570	23	105	185	1/2	70	50	68	30	90
13,1	1/4	A605-2RQ14	600	13,5	105	185	1/4	70	50	68	30	90
11,8	5/16	A605-2RQ516	600	16	105	185	5/16	70	50	68	30	90
9	3/8	A605-2RQ38	600	18	105	185	3/8	70	50	68	30	90
7,7	1/2	A605-2RQ12	600	23	105	185	1/2	70	50	68	30	90
16,9	1/4	A655-2RQ14	650	13,5	105	185	1/4	70	50	68	30	90
15,6	5/16	A655-2RQ516	650	16	105	185	5/16	70	50	68	30	90
12,8	3/8	A655-2RQ38	650	18	105	185	3/8	70	50	68	30	90
9,5	1/2	A655-2RQ12	650	23	105	185	1/2	70	50	68	30	90
21,1	1/4	A725-2RQ14	720	13,5	105	185	1/4	70	50	68	30	90
17,6	5/16	A725-2RQ516	720	16	105	185	5/16	70	50	68	30	90
14,9	3/8	A725-2RQ38	720	18	105	185	3/8	70	50	68	30	90
11,5	1/2	A725-2RQ12	720	23	105	185	1/2	70	50	68	30	90
23,8	5/16	A825-2RQ516	820	16	105	185	5/16	70	50	68	30	90
18,5	3/8	A825-2RQ38	820	18	105	185	3/8	70	50	68	30	90
17,2	1/2	A825-2RQ12	820	23	105	185	1/2	70	50	68	30	90


Max 3/4"
外形尺寸 / Overall dimensions

性能参数 / Features

- 双管隔离
- 温度范围:
-20/+80℃
- 工作压力:
400bar(40MPa)
- 最大回卷速度
30m/min
- Single hoses
- Working temperature:
-20/+80 °C
- Working pressure:
400 bar (40 MPa)
- Max. rewinding speed:
30 m/min

管长 Hose length m	管径 Hose Ø in	型号 Code	A mm	B mm	C mm	D mm	E in	G mm	H mm	L mm	M mm	N mm
3,4	1/2	A425-2RQ12	420	23	128	238	1/2	70	50	68	38	90
2,2	5/8	A425-2RQ58	420	30	128	238	5/8	70	50	68	38	90
2,2	3/4	A425-2RQ34	420	32	128	238	3/4	70	50	68	38	90
4,8	1/2	A475-2RQ12	470	23	128	238	1/2	70	50	68	38	90
3,5	5/8	A475-2RQ58	470	30	128	238	5/8	70	50	68	38	90
3,6	3/4	A475-2RQ34	470	32	128	238	3/4	70	50	68	38	90
6,3	1/2	A525-2RQ12	520	23	128	238	1/2	70	50	68	38	90
5	5/8	A525-2RQ58	520	30	128	238	5/8	70	50	68	38	90
5,2	3/4	A525-2RQ34	520	32	128	238	3/4	70	50	68	38	90
7,9	1/2	A575-2RQ12	570	23	128	238	1/2	70	50	68	38	90
6,7	5/8	A575-2RQ58	570	30	128	238	5/8	70	50	68	38	90
5,2	3/4	A575-2RQ34	570	32	128	238	3/4	70	50	68	38	90
9,7	1/2	A605-2RQ12	600	23	128	238	1/2	70	50	68	38	90
8,5	5/8	A605-2RQ58	600	30	128	238	5/8	70	50	68	38	90
6,9	3/4	A605-2RQ34	600	32	128	238	3/4	70	50	68	38	90
11,6	1/2	A655-2RQ12	650	23	128	238	1/2	70	50	68	38	90
10,4	5/8	A655-2RQ58	650	30	128	238	5/8	70	50	68	38	90
8,8	3/4	A655-2RQ34	650	32	128	238	3/4	70	50	68	38	90
13,6	1/2	A725-2RQ12	720	23	128	238	1/2	70	50	68	38	90
12,6	5/8	A725-2RQ58	720	30	128	238	5/8	70	50	68	38	90
10,8	3/4	A725-2RQ34	720	32	128	238	3/4	70	50	68	38	90
20,4	1/2	A825-2RQ12	820	23	128	238	1/2	70	50	68	38	90
17,3	5/8	A825-2RQ58	820	30	128	238	5/8	70	50	68	38	90
15,5	3/4	A825-2RQ34	820	32	128	238	3/4	70	50	68	38	90
25,6	1/2	A925-2RQ12	920	23	128	238	1/2	70	50	68	38	90
22,6	5/8	A925-2RQ58	920	30	128	238	5/8	70	50	68	38	90
18,1	3/4	A925-2RQ34	920	32	128	238	3/4	70	50	68	38	90

 软管选型见第八页
 See page 8 for hose choice.

 旋转方向见第七页
 See page 7 to define the rotation direction.

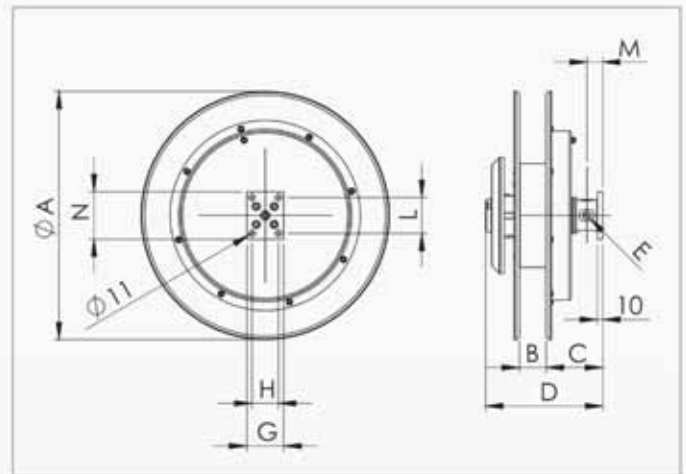
SERIE
3TR.12
BANJO

三排管液压卷筒 / 3 radial port hydraulic hose reels



Max 3/8"

外形尺寸 / Overall dimensions



性能参数 / Features

- 三排管
- 标准型(班卓琴连接)
- 温度范围
-20/+80℃
- 工作压力:
400bar(40MPa)
- 最大回卷速度
30m/min

Triple hoses

Compact version
(inner fitting = Banjo)

Working temperature: -20/+80 °C

Working pressure:
400 bar (40 MPa)

Max. rewinding speed:
30 m/min



软管选型见第八页
See page 8 for hose choice.

旋转方向见第七页
See page 7 to define the rotation direction.

管长 Hose length m	管径 Hose Ø in	型号 Code	A mm	B mm	C mm	D mm	E in	G mm	H mm	L mm	M mm	N mm
1,5	3/16	A20T-3RQ316	200	33	107	225	3/8"	70	50	68	30	90
1	1/4	A20T-3RQ14	200	40	107	225	3/8"	70	50	68	30	90
2,2	3/16	A23T-3RQ316	230	33	107	225	3/8"	70	50	68	30	90
1,6	1/4	A23T-3RQ14	230	40	107	225	3/8"	70	50	68	30	90
1,7	5/16	A23T-3RQ516	230	48	107	225	3/8"	70	50	68	30	90
1,7	3/8	A23T-3RQ38	230	54	107	225	3/8"	70	50	68	30	90
3,1	1/4	A27T-3RQ316	270	40	107	225	3/8"	70	50	68	30	90
2,4	5/16	A27T-3RQ14	270	48	107	225	3/8"	70	50	68	30	90
2,5	3/8	A27T-3RQ516	270	54	107	225	3/8"	70	50	68	30	90
4	1/4	A30T-3RQ14	300	40	107	225	3/8"	70	50	68	30	90
3,2	5/16	A30T-3RQ516	300	48	107	225	3/8"	70	50	68	30	90
3,4	3/8	A30T-3RQ38	300	54	107	225	3/8"	70	50	68	30	90
4,9	1/4	A32T-3RQ14	320	40	107	225	3/8"	70	50	68	30	90
4,2	5/16	A32T-3RQ516	320	48	107	225	3/8"	70	50	68	30	90
3,4	3/8	A32T-3RQ38	320	54	107	225	3/8"	70	50	68	30	90
4,9	1/4	A34T-3RQ14	340	40	107	225	3/8"	70	50	68	30	90
5,2	5/16	A34T-3RQ516	340	48	107	225	3/8"	70	50	68	30	90
4,4	3/8	A34T-3RQ38	340	54	107	225	3/8"	70	50	68	30	90

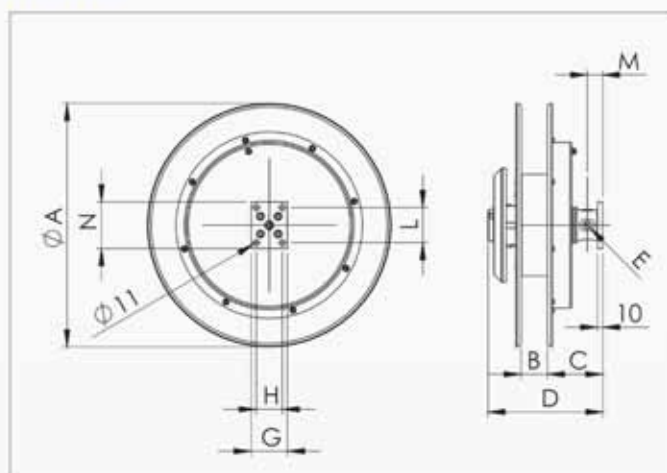
SERIE
3TR.12
90° SWIVEL

三排管液压卷筒 / 3 radial port hydraulic hose reels



Max 1/2"

外形尺寸 / Overall dimensions



性能参数 / Features

- 标准型(90° 雌性弯头)
- 三排管
- 温度范围
-20/+80°C
- 工作压力:
400bar(40MPa)
- 最大回卷速度:
30m/min

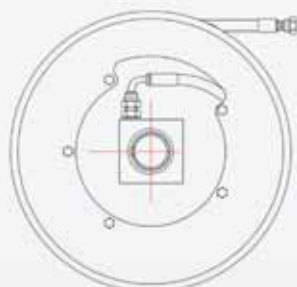
Standard version (inner fitting = 90° swivel female)

Triple hoses

Working temperature: -20/+80 °C

Working pressure: 400 bar (40 MPa)

Max. rewinding speed:
30 m/min



软管选型见第八页
See page 8 for hose choice.

旋转方向见第七页
See page 7 to define the rotation direction.

管长 Hose length m	管径 Hose Ø in	型号 Code	A mm	B mm	C mm	D mm	E in	G mm	H mm	L mm	M mm	N mm
1,5	1/2	A30T-3RQ12	300	69	107	225	1/2"	70	50	68	30	90
2,4	1/2	A320T-3RQ12	320	69	107	225	1/2"	70	50	68	30	90
2,4	1/2	A34T-3RQ12	340	69	107	225	1/2"	70	50	68	30	90
5,3	1/4	A37T-3RQ14	370	40	107	225	3/8"	70	50	68	30	90
4,3	5/16	A37T-3RQ516	370	48	107	225	3/8"	70	50	68	30	90
4,4	3/8	A37T-3RQ38	370	54	107	225	3/8"	70	50	68	30	90
3,5	1/2	A40T-3RQ12	370	69	107	225	1/2"	70	50	68	30	90
6,5	1/4	A40T-3RQ14	400	40	107	225	3/8"	70	50	68	30	90
5,4	5/16	A40T-3RQ516	400	48	107	225	3/8"	70	50	68	30	90
5,6	3/8	A40T-3RQ38	400	54	107	225	3/8"	70	50	68	30	90
4,7	1/2	A40T-3RQ12	400	69	107	225	1/2"	70	50	68	30	90
6,5	1/4	A42T-3RQ14	420	40	107	225	3/8"	70	50	68	30	90
6,6	5/16	A42T-3RQ516	420	48	107	225	3/8"	70	50	68	30	90
5,6	3/8	A42T-3RQ38	420	54	107	225	3/8"	70	50	68	30	90
4,7	1/2	A42T-3RQ12	420	69	107	225	1/2"	70	50	68	30	90
9,2	1/4	A47T-3RQ14	470	40	107	225	3/8"	70	50	68	30	90
9,4	5/16	A47T-3RQ516	470	48	107	225	3/8"	70	50	68	30	90
8,3	3/8	A47T-3RQ38	470	54	107	225	3/8"	70	50	68	30	90
6	1/2	A47T-3RQ12	470	69	107	225	1/2"	70	50	68	30	90
12,3	1/4	A52T-3RQ14	520	40	107	225	3/8"	70	50	68	30	90
10,9	5/16	A52T-3RQ516	520	48	107	225	3/8"	70	50	68	30	90
9,9	3/8	A52T-3RQ38	520	54	107	225	3/8"	70	50	68	30	90
9	1/2	A52T-3RQ12	520	69	107	225	1/2"	70	50	68	30	90
15,7	1/4	A57T-3RQ14	570	40	107	225	3/8"	70	50	68	30	90
14,2	5/16	A57T-3RQ516	570	48	107	225	3/8"	70	50	68	30	90
13,2	3/8	A57T-3RQ38	570	54	107	225	3/8"	70	50	68	30	90
10,7	1/2	A57T-3RQ12	570	69	107	225	1/2"	70	50	68	30	90
14,5	1/4	A60T-3RQ14	600	40	107	225	3/8"	70	50	68	30	90
14,7	5/16	A60T-3RQ516	600	48	107	225	3/8"	70	50	68	30	90
13,5	3/8	A60T-3RQ38	600	54	107	225	3/8"	70	50	68	30	90
10,6	1/2	A60T-3RQ12	600	69	107	225	1/2"	70	50	68	30	90
18,3	1/4	A65T-3RQ14	650	40	107	225	3/8"	70	50	68	30	90
16,6	5/16	A65T-3RQ516	650	48	107	225	3/8"	70	50	68	30	90
15,4	3/8	A65T-3RQ38	650	54	107	225	3/8"	70	50	68	30	90
12,5	1/2	A65T-3RQ12	650	69	107	225	1/2"	70	50	68	30	90
22,5	1/4	A72T-3RQ14	720	40	107	225	3/8"	70	50	68	30	90
20,7	5/16	A72T-3RQ516	720	48	107	225	3/8"	70	50	68	30	90
19,6	3/8	A72T-3RQ38	720	54	107	225	3/8"	70	50	68	30	90
16,7	1/2	A72T-3RQ12	720	69	107	225	1/2"	70	50	68	30	90
27,2	5/16	A82T-3RQ516	820	48	107	225	3/8"	70	50	68	30	90
23,7	3/8	A82T-3RQ38	820	54	107	225	3/8"	70	50	68	30	90
20,4	1/2	A82T-3RQ12	820	69	107	225	1/2"	70	50	68	30	90

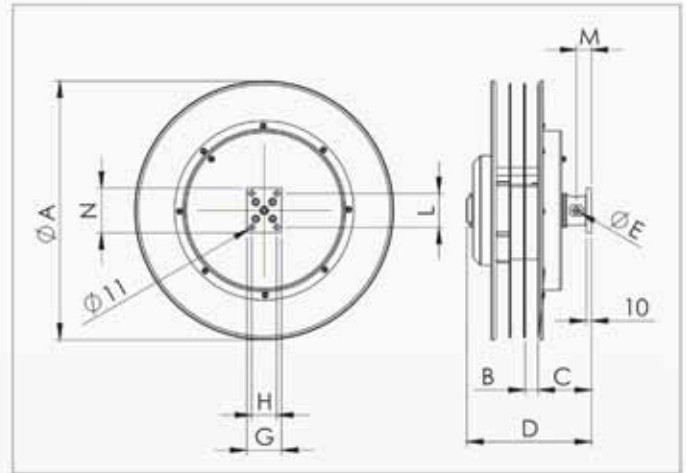
SERIE
3SR.12
BANJO

三管隔离液压卷筒 / 3 radial port hydraulic hose reels



Max 3/8"

外形尺寸 / Overall dimensions



性能参数 / Features

- 紧凑型(班卓琴连接)
- 三管隔离
- 温度范围
-20/+80℃
- 工作压力
400bar(40MPa)
- 最大回卷速度
30m/min

Compact version
(inner fitting = Banjo)

Single hoses

Working temperature: -20/+80 °C

Working pressure:
400 bar (40 MPa)

Max. rewinding speed:
30 m/min



软管选型见第八页
See page 8 for hose choice.

旋转方向见第七页
See page 7 to define the rotation direction.

管长 Hose length m	管径 Hose Ø in	型号 Code	A mm	B mm	C mm	D mm	E in	G mm	H mm	L mm	M mm	N mm
1,5	3/16	A205-3RQ316	200	11	107	225	3/8"	70	50	68	30	90
1	1/4	A205-3RQ14	200	13,5	107	225	3/8"	70	50	68	30	90
2,2	3/16	A235-3RQ316	230	11	107	225	3/8"	70	50	68	30	90
1,7	1/4	A235-3RQ14	230	13,5	107	225	3/8"	70	50	68	30	90
1	5/16	A235-3RQ516	230	16	107	225	3/8"	70	50	68	30	90
1,1	3/8	A235-3RQ38	230	18	107	225	3/8"	70	50	68	30	90
2,4	1/4	A275-3RQ316	270	13,5	107	225	3/8"	70	50	68	30	90
2,5	5/16	A275-3RQ14	270	16	107	225	3/8"	70	50	68	30	90
1,8	3/8	A275-3RQ516	270	18	107	225	3/8"	70	50	68	30	90
3,3	1/4	A305-3RQ14	300	13,5	107	225	3/8"	70	50	68	30	90
2,5	5/16	A305-3RQ516	300	16	107	225	3/8"	70	50	68	30	90
2,6	3/8	A305-3RQ38	300	18	107	225	3/8"	70	50	68	30	90
4,2	1/4	A325-3RQ14	320	13,5	107	225	3/8"	70	50	68	30	90
3,4	5/16	A325-3RQ516	320	16	107	225	3/8"	70	50	68	30	90
2,6	3/8	A325-3RQ38	320	18	107	225	3/8"	70	50	68	30	90
4,2	1/4	A345-3RQ14	340	13,5	107	225	3/8"	70	50	68	30	90
4,4	5/16	A345-3RQ516	340	16	107	225	3/8"	70	50	68	30	90
3,6	3/8	A345-3RQ38	340	18	107	225	3/8"	70	50	68	30	90

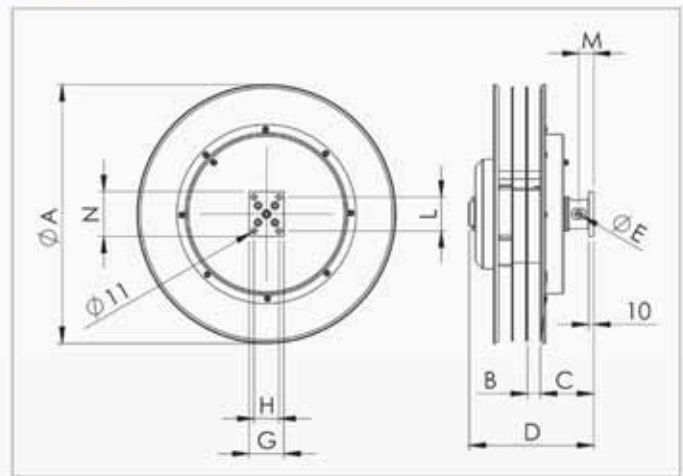
SERIE
3SR.12
90° SWIVEL

三管隔离液压卷筒 / 3 radial port hydraulic hose reels



Max 1/2"

外形尺寸 / Overall dimensions



性能参数 / Features

- 标准型(90° 雌性弯头)
- 三管隔离
- 温度范围
-20/+80°C
- 工作压力:
400bar(40MPa)
- 最大回卷速度:
30m/min

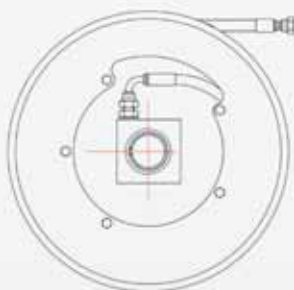
Standard version (inner fitting = 90° swivel female)

Single hoses

Working temperature: -20/+80 °C

Working pressure:
400 bar (40 MPa)

Max. rewinding speed: 30 m/min



软管选型见第八页
See page 8 for hose choice.

旋转方向见第七页
See page 7 to define the rotation direction.

管长 Hose length m	管径 Hose Ø in	型号 Code	A mm	B mm	C mm	D mm	E in	G mm	H mm	L mm	M mm	N mm
1,5	1/2	A30S-3RQ12	300	23	107	225	1/2"	70	50	68	30	90
1,5	1/2	A32S-3RQ12	320	23	107	225	1/2"	70	50	68	30	90
1,5	1/2	A34S-3RQ12	340	23	107	225	1/2"	70	50	68	30	90
4,3	1/4	A37S-3RQ14	370	13,5	107	225	3/8"	70	50	68	30	90
4,4	5/16	A37S-3RQ516	370	16	107	225	3/8"	70	50	68	30	90
3,5	3/8	A37S-3RQ38	370	18	107	225	3/8"	70	50	68	30	90
2,5	1/2	A37S-3RQ12	370	23	107	225	1/2"	70	50	68	30	90
5,5	1/4	A40S-3RQ14	400	13,5	107	225	3/8"	70	50	68	30	90
4,4	5/16	A40S-3RQ516	400	16	107	225	3/8"	70	50	68	30	90
3,5	3/8	A40S-3RQ38	400	18	107	225	3/8"	70	50	68	30	90
3,7	1/2	A40S-3RQ12	400	23	107	225	1/2"	70	50	68	30	90
6,7	1/4	A42S-3RQ14	420	13,5	107	225	3/8"	70	50	68	30	90
5,7	5/16	A42S-3RQ516	420	16	107	225	3/8"	70	50	68	30	90
4,8	3/8	A42S-3RQ38	420	18	107	225	3/8"	70	50	68	30	90
3,7	1/2	A42S-3RQ12	420	23	107	225	1/2"	70	50	68	30	90
8,1	1/4	A47S-3RQ14	470	13,5	107	225	3/8"	70	50	68	30	90
7	5/16	A47S-3RQ516	470	16	107	225	3/8"	70	50	68	30	90
6,1	3/8	A47S-3RQ38	470	18	107	225	3/8"	70	50	68	30	90
5	1/2	A47S-3RQ12	470	23	107	225	1/2"	70	50	68	30	90
11,1	1/4	A52S-3RQ14	520	13,5	107	225	3/8"	70	50	68	30	90
9,9	5/16	A52S-3RQ516	520	16	107	225	3/8"	70	50	68	30	90
7,6	3/8	A52S-3RQ38	520	18	107	225	3/8"	70	50	68	30	90
6,5	1/2	A52S-3RQ12	520	23	107	225	1/2"	70	50	68	30	90
12,7	1/4	A57S-3RQ14	570	13,5	107	225	3/8"	70	50	68	30	90
11,6	5/16	A57S-3RQ516	570	16	107	225	3/8"	70	50	68	30	90
9,2	3/8	A57S-3RQ38	570	18	107	225	3/8"	70	50	68	30	90
8,1	1/2	A57S-3RQ12	570	23	107	225	1/2"	70	50	68	30	90
13,1	1/4	A60S-3RQ14	600	13,5	107	225	3/8"	70	50	68	30	90
11,8	5/16	A60S-3RQ516	600	16	107	225	3/8"	70	50	68	30	90
9	3/8	A60S-3RQ38	600	18	107	225	3/8"	70	50	68	30	90
7,7	1/2	A60S-3RQ12	600	23	107	225	1/2"	70	50	68	30	90
16,9	1/4	A65S-3RQ14	650	13,5	107	225	3/8"	70	50	68	30	90
15,6	5/16	A65S-3RQ516	650	16	107	225	3/8"	70	50	68	30	90
12,8	3/8	A65S-3RQ38	650	18	107	225	3/8"	70	50	68	30	90
9,5	1/2	A65S-3RQ12	650	23	107	225	1/2"	70	50	68	30	90
21,1	1/4	A72S-3RQ14	720	13,5	107	225	3/8"	70	50	68	30	90
17,6	5/16	A72S-3RQ516	720	16	107	225	3/8"	70	50	68	30	90
14,9	3/8	A72S-3RQ38	720	18	107	225	3/8"	70	50	68	30	90
11,5	1/2	A72S-3RQ12	720	23	107	225	1/2"	70	50	68	30	90
23,8	5/16	A82S-3RQ516	820	16	107	225	3/8"	70	50	68	30	90
18,5	3/8	A82S-3RQ38	820	18	107	225	3/8"	70	50	68	30	90
17,2	1/2	A82S-3RQ12	820	23	107	225	1/2"	70	50	68	30	90

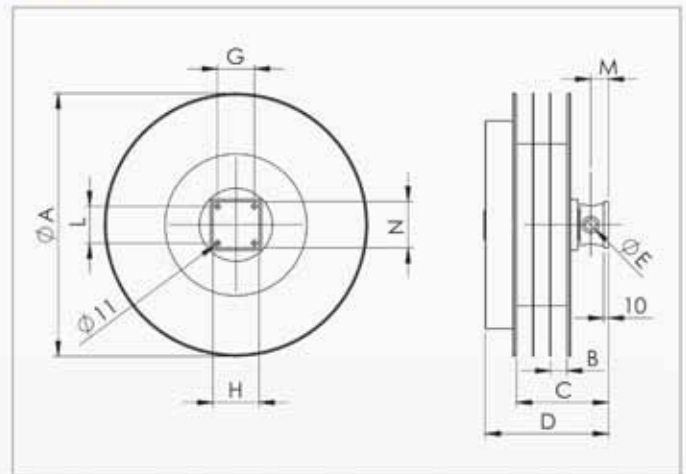
SERIE
3SR.34

三管隔离液压卷筒 / 3 radial port hydraulic hose reels



Max 3/4"

外形尺寸 / Overall dimensions



性能参数 / Features

- 三管隔离
- 温度范围
-20/+80℃
- 工作压力:
400bar(40MPa)
- 最大回卷速度
30m/min
- Single hoses
- Working temperature:
-20/+80 °C
- Working pressure:
400 bar (40 MPa)
- Max. rewinding speed:
30 m/min

管长 Hose length m	管径 Hose Ø in	型号 Code	A mm	B mm	C mm	D mm	E in	G mm	H mm	L mm	M mm	N mm
3,4	1/2	A425-3RQ12	420	23	200	247	1/2	80	100	80	38,5	100
2,2	5/8	A425-3RQ58	420	30	200	247	5/8	80	100	80	38,5	100
2,2	3/4	A425-3RQ34	420	32	200	247	3/4	80	100	80	38,5	100
4,8	1/2	A475-3RQ12	470	23	200	247	1/2	80	100	80	38,5	100
3,5	5/8	A475-3RQ58	470	30	200	257	5/8	80	100	80	38,5	100
3,6	3/4	A475-3RQ34	470	32	200	257	3/4	80	100	80	38,5	100
6,3	1/2	A525-3RQ12	520	23	200	247	1/2	80	100	80	38,5	100
5	5/8	A525-3RQ58	520	30	200	257	5/8	80	100	80	38,5	100
5,2	3/4	A525-3RQ34	520	32	200	257	3/4	80	100	80	38,5	100
7,9	1/2	A575-3RQ12	570	23	200	257	1/2	80	100	80	38,5	100
6,7	5/8	A575-3RQ58	570	30	200	257	5/8	80	100	80	38,5	100
5,2	3/4	A575-3RQ34	570	32	200	257	3/4	80	100	80	38,5	100
9,7	1/2	A605-3RQ12	600	23	200	257	1/2	80	100	80	38,5	100
8,5	5/8	A605-3RQ58	600	30	200	267	5/8	80	100	80	38,5	100
6,9	3/4	A605-3RQ34	600	32	200	267	3/4	80	100	80	38,5	100
11,6	1/2	A655-3RQ12	650	23	200	267	1/2	80	100	80	38,5	100
10,4	5/8	A655-3RQ58	650	30	200	267	5/8	80	100	80	38,5	100
8,8	3/4	A655-3RQ34	650	32	200	267	3/4	80	100	80	38,5	100
13,6	1/2	A725-3RQ12	720	23	200	267	1/2	80	100	80	38,5	100
12,6	5/8	A725-3RQ58	720	30	200	267	5/8	80	100	80	38,5	100
10,8	3/4	A725-3RQ34	720	32	200	267	3/4	80	100	80	38,5	100
20,4	1/2	A825-3RQ12	820	23	200	267	1/2	80	100	80	38,5	100
17,3	5/8	A825-3RQ58	820	30	200	267	5/8	80	100	80	38,5	100
15,5	3/4	A825-3RQ34	820	32	200	267	3/4	80	100	80	38,5	100
25,6	1/2	A925-3RQ12	920	23	200	267	1/2	80	100	80	38,5	100
22,6	5/8	A925-3RQ58	920	30	200	267	5/8	80	100	80	38,5	100
18,1	3/4	A925-3RQ34	920	32	200	267	3/4	80	100	80	38,5	100

软管选型见第八页
See page 8 for hose choice.

旋转方向见第七页
See page 7 to define the rotation direction.

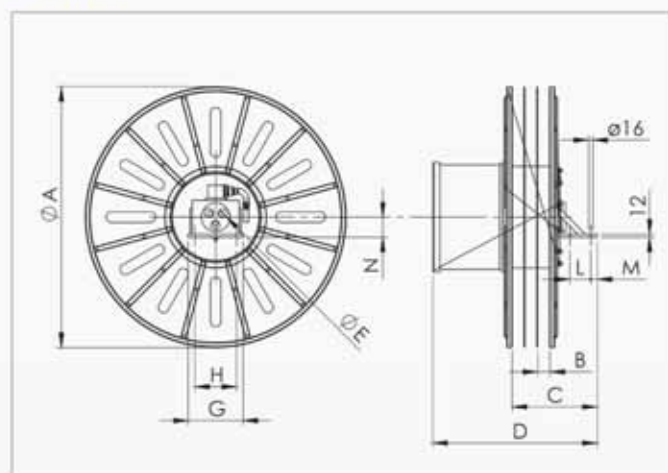
SERIE
3SA.10

三管隔离液压卷筒 / 3 radial port hydraulic hose reels



Max 1"

外形尺寸 / Overall dimensions



性能参数 / Features

- 三管隔离
- 工作温度
-20/+80°C
- 工作压力:
400bar(40MPa)
- 最大回卷速度
30m/min
- Single hoses
- Working temperature:
-20/+80 °C
- Working pressure:
400 bar (40 MPa)
- Max. rewinding speed:
30 m/min

管长 Hose length m	管径 Hose Ø in	型号 Code	A mm	B mm	C mm	D mm	E in	G mm	H mm	L mm	M mm	N mm
3,4	3/8	A605-3RQ38	600	18	330	630	3/8	210	160	80	25	102
3,4	1/2	A605-3RQ12	600	23	330	630	1/2	210	160	80	25	102
7,3	3/8	A705-3RQ38	700	18	330	630	3/8	210	160	80	25	102
7,5	1/2	A705-3RQ12	700	23	330	630	1/2	210	160	80	25	102
5,5	5/8	A705-3RQ58	700	30	330	630	5/8	210	160	80	25	102
5,6	3/4	A705-3RQ34	700	32	330	630	3/4	210	160	80	25	102
3,6	1	A705-3RQ1	700	40	330	630	1	210	160	80	25	102
12,1	1/2	A805-3RQ12	800	23	330	630	1/2	210	160	80	25	102
10	5/8	A805-3RQ58	800	30	330	630	5/8	210	160	80	25	102
7,8	3/4	A805-3RQ34	800	32	330	630	3/4	210	160	80	25	102
5,8	1	A805-3RQ1	800	40	330	630	1	210	160	80	25	102
17,4	1/2	A905-3RQ12	900	23	330	630	1/2	210	160	80	25	102
15,3	5/8	A905-3RQ58	900	30	330	630	5/8	210	160	80	25	102
12,9	3/4	A905-3RQ34	900	32	330	630	3/4	210	160	80	25	102
10,9	1	A905-3RQ1	900	40	330	630	1	210	160	80	25	102
23,3	1/2	A1005-3RQ12	1000	23	330	630	1/2	210	160	80	25	102
18,2	5/8	A1005-3RQ58	1000	30	330	630	5/8	210	160	80	25	102
15,8	3/4	A1005-3RQ34	1000	32	330	630	3/4	210	160	80	25	102
13,8	1	A1005-3RQ1	1000	40	330	630	1	210	160	80	25	102
36,9	1/2	A1205-3RQ12	1200	23	330	630	1/2	210	160	80	25	102
31,6	5/8	A1205-3RQ58	1200	30	330	630	5/8	210	160	80	25	102
29,3	3/4	A1205-3RQ34	1200	32	330	630	3/4	210	160	80	25	102
20,4	1	A1205-3RQ1	1200	40	330	630	1	210	160	80	25	102
53	1/2	A1405-3RQ12	1400	23	330	630	1/2	210	160	80	25	102
43,5	5/8	A1405-3RQ58	1400	30	330	630	5/8	210	160	80	25	102
41,5	3/4	A1405-3RQ34	1400	32	330	630	3/4	210	160	80	25	102
32,2	1	A1405-3RQ1	1400	40	330	630	1	210	160	80	25	102

软管选型见第八页
See page 8 for hose choice.

旋转方向见第七页
See page 7 to define the rotation direction.

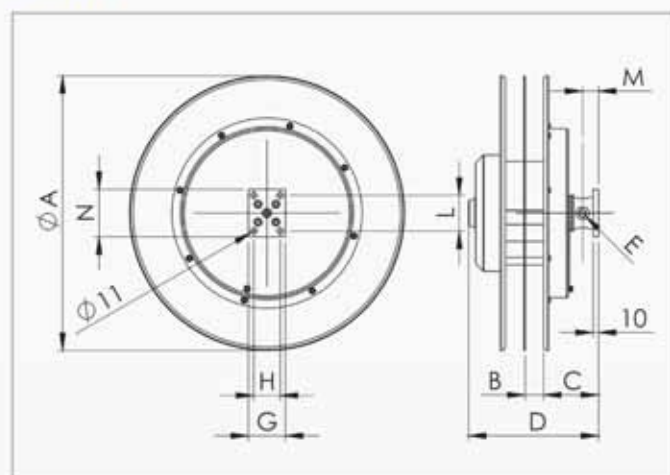
SERIE
4BR.12
90° SWIVEL

双管+双管液压卷筒 / 4 radial port hydraulic hose reels



Max 1/2"

外形尺寸 / Overall dimensions



性能参数 / Features

- 标准型(90° 雌性弯头)
- 双排管之间隔离
- 温度范围
-20/+80℃
- 工作压力:
400bar(40MPa)
- 最大回卷速度:
30m/min

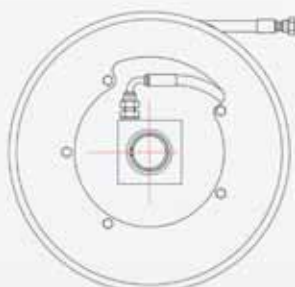
Standard version (inner fitting = 90° swivel female)

Twin hoses

Working temperature: -20/+80 °C

Working pressure:
400 bar (40 MPa)

Max. rewinding speed: 30 m/min



软管选型见第八页
See page 8 for hose choice.

旋转方向见第七页
See page 7 to define the rotation direction.

管长 Hose length m	管径 Hose Ø in	型号 Code	A mm	B mm	C mm	D mm	E in	G mm	H mm	L mm	M mm	N mm
1,5	1/2	A30B-4RQ12	300	46	105	245	1/2"	70	50	68	30	90
2,4	1/2	A32B-4RQ12	320	46	105	245	1/2"	70	50	68	30	90
2,4	1/2	A34B-4RQ12	340	46	105	245	1/2"	70	50	68	30	90
5,3	1/4	A37B-4RQ14	370	27	105	245	3/8"	70	50	68	30	90
4,3	5/16	A37B-4RQ16	370	32	105	245	3/8"	70	50	68	30	90
4,4	3/8	A37B-4RQ38	370	36	105	245	3/8"	70	50	68	30	90
3,5	1/2	A37B-4RQ12	370	46	105	245	1/2"	70	50	68	30	90
6,5	1/4	A40B-4RQ14	400	27	105	245	3/8"	70	50	68	30	90
5,4	5/16	A40B-4RQ16	400	32	105	245	3/8"	70	50	68	30	90
5,6	3/8	A40B-4RQ38	400	36	105	245	3/8"	70	50	68	30	90
4,7	1/2	A40B-4RQ12	400	46	105	245	1/2"	70	50	68	30	90
6,5	1/4	A42B-4RQ14	420	27	105	245	3/8"	70	50	68	30	90
6,6	5/16	A42B-4RQ16	420	32	105	245	3/8"	70	50	68	30	90
5,6	3/8	A42B-4RQ38	420	36	105	245	3/8"	70	50	68	30	90
4,7	1/2	A42B-4RQ12	420	46	105	245	1/2"	70	50	68	30	90
9,2	1/4	A47B-4RQ14	470	27	105	245	3/8"	70	50	68	30	90
9,4	5/16	A47B-4RQ16	470	32	105	245	3/8"	70	50	68	30	90
8,3	3/8	A47B-4RQ38	470	36	115	255	3/8"	70	50	68	30	90
6	1/2	A47B-4RQ12	470	46	115	255	1/2"	70	50	68	30	90
12,3	1/4	A52B-4RQ14	520	27	105	245	3/8"	70	50	68	30	90
10,9	5/16	A52B-4RQ16	520	32	105	245	3/8"	70	50	68	30	90
9,9	3/8	A52B-4RQ38	520	36	115	255	3/8"	70	50	68	30	90
9	1/2	A52B-4RQ12	520	46	115	255	1/2"	70	50	68	30	90
15,7	1/4	A57B-4RQ14	570	27	105	245	3/8"	70	50	68	30	90
14,2	5/16	A57B-4RQ16	570	32	105	245	3/8"	70	50	68	30	90
13,2	3/8	A57B-4RQ38	570	36	115	255	3/8"	70	50	68	30	90
10,7	1/2	A57B-4RQ12	570	46	115	255	1/2"	70	50	68	30	90
14,5	1/4	A60B-4RQ14	600	27	105	245	3/8"	70	50	68	30	90
14,7	5/16	A60B-4RQ16	600	32	115	255	3/8"	70	50	68	30	90
13,5	3/8	A60B-4RQ38	600	36	115	255	3/8"	70	50	68	30	90
10,6	1/2	A60B-4RQ12	600	46	115	255	1/2"	70	50	68	30	90
18,3	1/4	A65B-4RQ14	650	27	115	255	3/8"	70	50	68	30	90
16,6	5/16	A65B-4RQ16	650	32	115	255	3/8"	70	50	68	30	90
15,4	3/8	A65B-4RQ38	650	36	115	255	3/8"	70	50	68	30	90
12,5	1/2	A65B-4RQ12	650	46	115	255	1/2"	70	50	68	30	90
22,5	1/4	A72B-4RQ14	720	27	115	255	3/8"	70	50	68	30	90
20,7	5/16	A72B-4RQ16	720	32	115	255	3/8"	70	50	68	30	90
19,6	3/8	A72B-4RQ38	720	36	115	255	3/8"	70	50	68	30	90
16,7	1/2	A72B-4RQ12	720	46	115	255	1/2"	70	50	68	30	90
27,2	5/16	A82B-4RQ16	820	32	115	255	3/8"	70	50	68	30	90
23,7	3/8	A82B-4RQ38	820	36	115	255	3/8"	70	50	68	30	90
20,4	1/2	A82B-4RQ12	820	46	115	255	1/2"	70	50	68	30	90

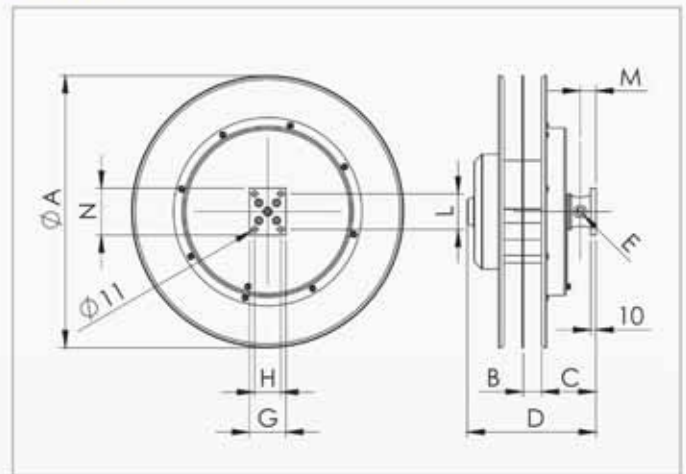
SERIE
4BR.12
BANJO

四管液压卷筒 / 4 radial port hydraulic hose reels



Max 3/8"

外形尺寸 / Overall dimensions



性能参数 / Features

- 紧凑型(班卓琴连接)
- 双排管之间隔离
- 温度范围
-20/+80℃
- 工作压力
400bar(40MPa)
- 最大回卷速度
30m/min

Compact version
(inner fitting = Banjo)

Twin hoses

Working temperature: -20/+80 °C

Working pressure:
400 bar (40 MPa)

Max. rewinding speed:
30 m/min



软管选型见第八页
See page 8 for hose choice.

旋转方向见第七页
See page 7 to define the rotation direction.

管长 Hose length m	管径 Hose Ø mm	型号 Code	A mm	B mm	C mm	D mm	E in	G mm	H mm	L mm	M mm	N mm
1,5	3/16	A20B-4RQ316	200	25	105	245	3/8"	70	50	68	30	90
1	1/4	A20B-4RQ14	200	27	105	245	3/8"	70	50	68	30	90
2,2	3/16	A23B-4RQ316	230	25	105	245	3/8"	70	50	68	30	90
1,6	1/4	A23B-4RQ14	230	27	105	245	3/8"	70	50	68	30	90
1,7	5/16	A23B-4RQ516	230	32	105	245	3/8"	70	50	68	30	90
1,7	3/8	A23B-4RQ38	230	36	105	245	3/8"	70	50	68	30	90
3,1	1/4	A27B-4RQ14	270	27	105	245	3/8"	70	50	68	30	90
2,4	5/16	A27B-4RQ516	270	32	105	245	3/8"	70	50	68	30	90
2,5	3/8	A27B-4RQ38	270	36	105	245	3/8"	70	50	68	30	90
4	1/4	A30B-4RQ14	300	27	105	245	3/8"	70	50	68	30	90
3,2	5/16	A30B-4RQ516	300	32	105	245	3/8"	70	50	68	30	90
3,4	3/8	A30B-4RQ38	300	36	105	245	3/8"	70	50	68	30	90
4,9	1/4	A32B-4RQ14	320	27	105	245	3/8"	70	50	68	30	90
4,2	5/16	A32B-4RQ516	320	32	105	245	3/8"	70	50	68	30	90
3,4	3/8	A32B-4RQ38	320	36	105	245	3/8"	70	50	68	30	90
4,9	1/4	A34B-4RQ14	340	27	105	245	3/8"	70	50	68	30	90
5,2	5/16	A34B-4RQ516	340	32	105	245	3/8"	70	50	68	30	90
4,4	3/8	A34B-4RQ38	340	36	105	245	3/8"	70	50	68	30	90

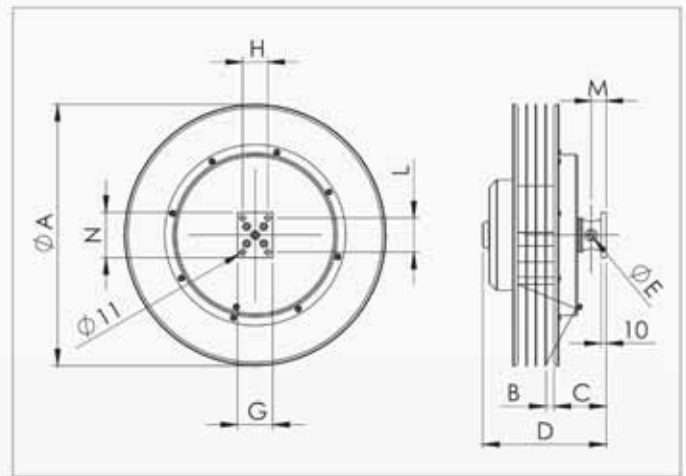
SERIE
4SR.12
BANJO

四管隔离液压卷筒 / 4 radial port hydraulic hose reels



Max 3/8"

外形尺寸 / Overall dimensions



性能参数 / Features

- 紧凑型(班卓琴连接)
- 四管隔离
- 温度范围
-20/+80℃
- 工作压力
400bar(40MPa)
- 最大回卷速度
30m/min

Compact version
(inner fitting = Banjo)

Single hoses

Working temperature: -20/+80 °C

Working pressure:
400 bar (40 MPa)

Max. rewinding speed:
30 m/min



软管选型见第八页
See page 8 for hose choice.

旋转方向见第七页
See page 7 to define the rotation direction.

管长 Hose length m	管径 Hose Ø in	型号 Code	A mm	B mm	C mm	D mm	E in	G mm	H mm	L mm	M mm	N mm
1,5	3/16	A205-4RQ316	200	11	105	245	3/16	70	50	68	30	90
1	1/4	A205-4RQ14	200	13,5	105	245	1/4	70	50	68	30	90
2,2	3/16	A235-4RQ316	230	11	105	245	3/16	70	50	68	30	90
1,7	1/4	A235-4RQ14	230	13,5	105	245	1/4	70	50	68	30	90
1	5/16	A235-4RQ516	230	16	105	245	5/16	70	50	68	30	90
1,1	3/8	A235-4RQ38	230	18	105	245	3/8	70	50	68	30	90
3,7	3/16	A275-4RQ316	270	11	105	245	3/16	70	50	68	30	90
2,4	1/4	A275-4RQ14	270	13,5	105	245	1/4	70	50	68	30	90
2,5	5/16	A275-4RQ516	270	16	115	255	5/16	70	50	68	30	90
1,8	3/8	A275-4RQ38	270	18	115	255	3/8	70	50	68	30	90
4,6	3/16	A305-4RQ316	300	11	105	245	3/16	70	50	68	30	90
3,3	1/4	A305-4RQ14	300	13,5	105	245	1/4	70	50	68	30	90
2,5	5/16	A305-4RQ516	300	16	115	254	5/16	70	50	68	30	90
2,6	3/8	A305-4RQ38	300	18	115	255	3/8	70	50	68	30	90
4,2	1/4	A325-4RQ14	320	13,5	105	245	1/4	70	50	68	30	90
3,4	5/16	A325-4RQ516	320	16	115	255	5/16	70	50	68	30	90
2,6	3/8	A325-4RQ38	320	18	115	255	3/8	70	50	68	30	90
4,2	1/4	A345-4RQ14	340	13,5	105	245	1/4	70	50	68	30	90
4,4	5/16	A345-4RQ516	340	16	115	255	5/16	70	50	68	30	90
3,6	3/8	A345-4RQ38	340	18	115	255	3/8	70	50	68	30	90

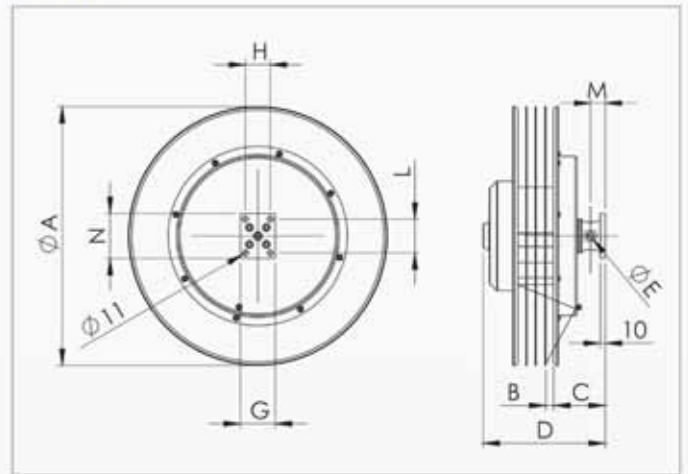
SERIE
4SR.12
90° SWIVEL

四管隔离液压卷筒 / 4 radial port hydraulic hose reels



Max 1/2"

外形尺寸 / Overall dimensions



性能参数 / Features

- 标准版(90° 雌性弯头)
- 四管隔离
- 温度范围
-20/+80°C
- 工作压力:
400bar(40MPa)
- 最大回卷速度:
30m/min

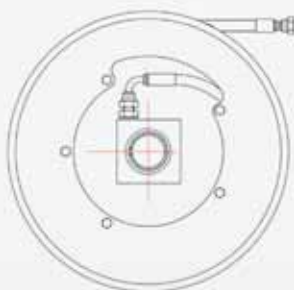
Standard version (inner fitting = 90° swivel female)

Single hoses

Working temperature: -20/+80 °C

Working pressure:
400 bar (40 MPa)

Max. rewinding speed: 30 m/min



软管选型见第八页
See page 8 for hose choice.

旋转方向见第七页
See page 7 to define the rotation direction.

管长 Hose length m	管径 Hose Ø in	型号 Code	A mm	B mm	C mm	D mm	E in	G mm	H mm	L mm	M mm	N mm
1,5	1/2	A30S-4RQ12	300	23	125	265	1/2	70	50	68	30	90
1,5	1/2	A32S-4RQ12	320	23	125	265	1/2	70	50	68	30	90
1,5	1/2	A34S-4RQ12	340	23	125	265	1/2	70	50	68	30	90
4,3	1/4	A37S-4RQ14	370	13,5	105	245	1/4	70	50	68	30	90
4,4	5/16	A37S-4RQ516	370	16	115	255	5/16	70	50	68	30	90
3,5	3/8	A37S-4RQ38	370	18	115	255	3/8	70	50	68	30	90
2,5	1/2	A40S-4RQ12	370	23	125	265	1/2	70	50	68	30	90
5,5	1/4	A40S-4RQ14	400	13,5	105	245	1/4	70	50	68	30	90
4,4	5/16	A40S-4RQ516	400	16	115	255	5/16	70	50	68	30	90
3,5	3/8	A40S-4RQ38	400	18	115	255	3/8	70	50	68	30	90
3,7	1/2	A40S-4RQ12	400	23	125	265	1/2	70	50	68	30	90
6,7	1/4	A42S-4RQ14	420	13,5	105	245	1/4	70	50	68	30	90
5,7	5/16	A42S-4RQ516	420	16	115	255	5/16	70	50	68	30	90
4,8	3/8	A42S-4RQ38	420	18	115	255	3/8	70	50	68	30	90
3,7	1/2	A40S-4RQ12	420	23	125	265	1/2	70	50	68	30	90
8,1	1/4	A47S-4RQ14	470	13,5	105	245	1/4	70	50	68	30	90
7	5/16	A47S-4RQ516	470	16	115	255	5/16	70	50	68	30	90
6,1	3/8	A47S-4RQ38	470	18	115	255	3/8	70	50	68	30	90
5	1/2	A40S-4RQ12	470	23	125	265	1/2	70	50	68	30	90
11,1	1/4	A52S-4RQ14	520	13,5	105	245	1/4	70	50	68	30	90
9,9	5/16	A52S-4RQ516	520	16	115	255	5/16	70	50	68	30	90
7,6	3/8	A52S-4RQ38	520	18	115	255	3/8	70	50	68	30	90
6,5	1/2	A52S-4RQ12	520	23	125	265	1/2	70	50	68	30	90
12,7	1/4	A57S-4RQ14	570	13,5	105	245	1/4	70	50	68	30	90
11,6	5/16	A57S-4RQ516	570	16	115	255	5/16	70	50	68	30	90
9,2	3/8	A57S-4RQ38	570	18	115	255	3/8	70	50	68	30	90
8,1	1/2	A57S-4RQ12	570	23	125	265	1/2	70	50	68	30	90
13,1	1/4	A60S-4RQ14	600	13,5	105	245	1/4	70	50	68	30	90
11,8	5/16	A60S-4RQ516	600	16	115	255	5/16	70	50	68	30	90
9	3/8	A60S-4RQ38	600	18	115	255	3/8	70	50	68	30	90
7,7	1/2	A60S-4RQ12	600	23	125	265	1/2	70	50	68	30	90
16,9	1/4	A65S-4RQ14	650	13,5	105	245	1/4	70	50	68	30	90
15,6	5/16	A65S-4RQ516	650	16	115	255	5/16	70	50	68	30	90
12,8	3/8	A65S-4RQ38	650	18	115	255	3/8	70	50	68	30	90
9,5	1/2	A65S-4RQ12	650	23	125	265	1/2	70	50	68	30	90
21,1	1/4	A72S-4RQ14	720	13,5	105	245	1/4	70	50	68	30	90
17,6	5/16	A72S-4RQ516	720	16	115	255	5/16	70	50	68	30	90
14,9	3/8	A72S-4RQ38	720	18	115	255	3/8	70	50	68	30	90
11,5	1/2	A72S-4RQ12	720	23	125	265	1/2	70	50	68	30	90
23,8	5/16	A82S-4RQ516	820	16	115	255	5/16	70	50	68	30	90
18,5	3/8	A82S-4RQ38	820	18	115	255	3/8	70	50	68	30	90
17,2	1/2	A82S-4RQ12	820	23	125	265	1/2	70	50	68	30	90

SERIE
4SR.34

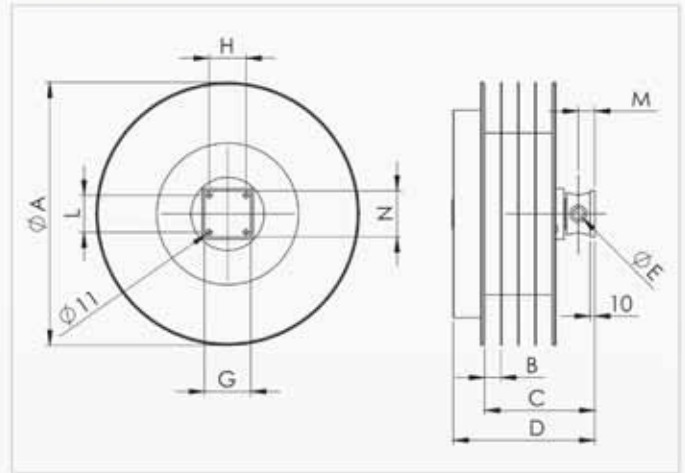
四管隔离液压卷筒 / 4 radial port hydraulic hose reels

GLOREEL
吉罗瑞



Max 3/4"

外形尺寸 / Overall dimensions



性能参数 / Features

- 四管隔离
- 温度范围
-20/+80℃
- 工作压力:
400bar(40MPa)
- 最大回卷速度:
30m/min

Single hoses

Working temperature:
-20/+80 °C

Working pressure:
400 bar (40 MPa)

Max. rewinding speed:
30 m/min

管长 Hose length m	管径 Hose Ø in	型号 Code	A mm	B mm	C mm	D mm	E in	G mm	H mm	L mm	M mm	N mm
3,4	1/2	A42S-4RQ12	420	23	240	286	1/2	100	80	80	35	100
2,2	5/8	A42S-4RQ58	420	30	240	286	5/8	100	80	80	35	100
2,2	3/4	A42S-4RQ34	420	32	240	286	3/4	100	80	80	35	100
4,8	1/2	A47S-4RQ12	470	23	240	286	1/2	100	80	80	35	100
3,5	5/8	A47S-4RQ58	470	30	240	296	5/8	100	80	80	35	100
3,6	3/4	A47S-4RQ34	470	32	240	296	3/4	100	80	80	35	100
6,3	1/2	A52S-4RQ12	520	23	240	286	1/2	100	80	80	35	100
5	5/8	A52S-4RQ58	520	30	240	296	5/8	100	80	80	35	100
5,2	3/4	A52S-4RQ34	520	32	240	296	3/4	100	80	80	35	100
7,9	1/2	A57S-4RQ12	570	23	240	296	1/2	100	80	80	35	100
6,7	5/8	A57S-4RQ58	570	30	240	296	5/8	100	80	80	35	100
5,2	3/4	A57S-4RQ34	570	32	240	296	3/4	100	80	80	35	100
9,7	1/2	A60S-4RQ12	600	23	240	296	1/2	100	80	80	35	100
8,5	5/8	A60S-4RQ58	600	30	240	306	5/8	100	80	80	35	100
6,9	3/4	A60S-4RQ34	600	32	240	306	3/4	100	80	80	35	100
11,6	1/2	A65S-4RQ12	650	23	240	296	1/2	100	80	80	35	100
10,4	5/8	A65S-4RQ58	650	30	240	306	5/8	100	80	80	35	100
8,8	3/4	A65S-4RQ34	650	32	240	306	3/4	100	80	80	35	100
13,6	1/2	A72S-4RQ12	720	23	240	296	1/2	100	80	80	35	100
12,6	5/8	A72S-4RQ58	720	30	240	306	5/8	100	80	80	35	100
10,8	3/4	A72S-4RQ34	720	32	240	306	3/4	100	80	80	35	100
20,4	1/2	A82S-4RQ12	820	23	240	306	1/2	100	80	80	35	100
17,3	5/8	A82S-4RQ58	820	30	240	306	5/8	100	80	80	35	100
15,5	3/4	A82S-4RQ34	820	32	240	306	3/4	100	80	80	35	100
25,6	1/2	A92S-4RQ12	920	23	240	306	1/2	100	80	80	35	100
22,6	5/8	A92S-4RQ58	920	30	240	306	5/8	100	80	80	35	100
18,1	3/4	A92S-4RQ34	920	32	240	306	3/4	100	80	80	35	100

软管选型见第八页
See page 8 for hose choice.

旋转方向见第七页
See page 7 to define the rotation direction.

四管隔离液压卷筒-独立弹簧设计

4 radial port hydraulic hose reels - Independent springs

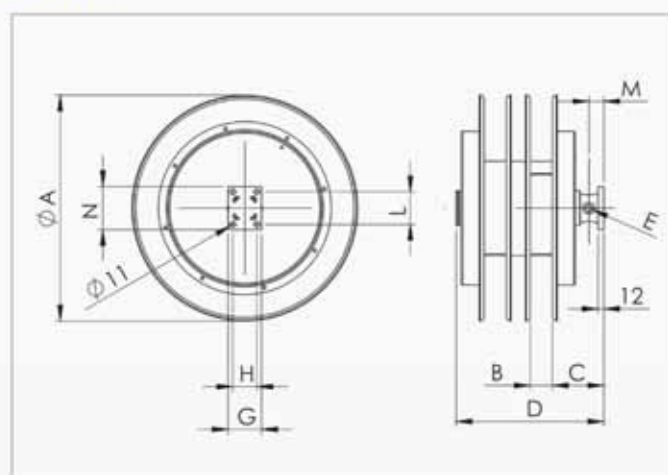
SERIE

4DR.12



Max 1/2"

外形尺寸 / Overall dimensions



性能参数 / Features

- 四管隔离
- 温度范围
-20/+80℃
- 工作压力:
400bar(40MPa)
- 最大回卷速度:
30m/min

Single hoses

Working temperature:
-20/+80 °C

Working pressure:
400 bar (40 MPa)

Max. rewinding speed:
30 m/min

管长 Hose length m	管径 Hose Ø in	型号 Code	A mm	B mm	C mm	D mm	E in	G mm	H mm	L mm	M mm	N mm
2,2	1/4	A30B-4RD14	300	27	107	307	3/8"	70	50	68	31	90
2,3	5/16	A30B-4RD516	300	32	107	307	3/8"	70	50	68	31	90
2,3	3/8	A30B-4RD38	300	36	107	307	3/8"	70	50	68	31	90
1,5	1/2	A30B-4RD12	300	46	107	307	1/2"	70	50	68	31	90
3,1	1/4	A32B-4RD14	320	27	107	307	3/8"	70	50	68	31	90
3,2	5/16	A32B-4RD516	320	32	107	307	3/8"	70	50	68	31	90
2,3	3/8	A32B-4RD38	320	36	107	307	3/8"	70	50	68	31	90
2,4	1/2	A32B-4RD12	320	46	107	307	1/2"	70	50	68	31	90
4,1	1/4	A34B-4RD14	340	27	107	307	3/8"	70	50	68	31	90
3,2	5/16	A34B-4RD516	340	32	107	307	3/8"	70	50	68	31	90
3,3	3/8	A34B-4RD38	340	36	107	307	3/8"	70	50	68	31	90
2,4	1/2	A34B-4RD12	340	46	107	307	1/2"	70	50	68	31	90
5,3	1/4	A37B-4RD14	370	27	107	307	3/8"	70	50	68	31	90
4,3	5/16	A37B-4RD516	370	32	107	307	3/8"	70	50	68	31	90
4,4	3/8	A37B-4RD38	370	36	107	307	3/8"	70	50	68	31	90
3,5	1/2	A37B-4RD12	370	46	107	307	1/2"	70	50	68	31	90
6,5	1/4	A40B-4RD14	400	27	107	307	3/8"	70	50	68	31	90
5,4	5/16	A40B-4RD516	400	32	107	307	3/8"	70	50	68	31	90
5,6	3/8	A40B-4RD38	400	36	107	307	3/8"	70	50	68	31	90
4,7	1/2	A40B-4RD12	400	46	107	307	1/2"	70	50	68	31	90
6,5	1/4	A42B-4RD14	420	27	107	307	3/8"	70	50	68	31	90
6,6	5/16	A42B-4RD516	420	32	107	307	3/8"	70	50	68	31	90
5,6	3/8	A42B-4RD38	420	36	107	307	3/8"	70	50	68	31	90
4,7	1/2	A42B-4RD12	420	46	107	307	1/2"	70	50	68	31	90
9,2	1/4	A47B-4RD14	470	27	107	307	3/8"	70	50	68	31	90
9,4	5/16	A47B-4RD516	470	32	107	307	3/8"	70	50	68	31	90
8,3	3/8	A47B-4RD38	470	36	107	307	3/8"	70	50	68	31	90
6	1/2	A47B-4RD12	470	46	107	307	1/2"	70	50	68	31	90
12,3	1/4	A52B-4RD14	520	27	107	307	3/8"	70	50	68	31	90
10,9	5/16	A52B-4RD516	520	32	107	307	3/8"	70	50	68	31	90
9,9	3/8	A52B-4RD38	520	36	107	307	3/8"	70	50	68	31	90
9	1/2	A52B-4RD12	520	46	107	307	1/2"	70	50	68	31	90
15,7	1/4	A57B-4RD14	570	27	107	307	3/8"	70	50	68	31	90
14,2	5/16	A57B-4RD516	570	32	107	307	3/8"	70	50	68	31	90
13,2	3/8	A57B-4RD38	570	36	107	307	3/8"	70	50	68	31	90
10,7	1/2	A57B-4RD12	570	46	107	307	1/2"	70	50	68	31	90
14,5	1/4	A60B-4RD14	600	27	107	307	3/8"	70	50	68	31	90
14,7	5/16	A60B-4RD516	600	32	107	307	3/8"	70	50	68	31	90
13,5	3/8	A60B-4RD38	600	36	107	307	3/8"	70	50	68	31	90
10,6	1/2	A60B-4RD12	600	46	107	307	1/2"	70	50	68	31	90
18,3	1/4	A65B-4RD14	650	27	107	307	3/8"	70	50	68	31	90
16,6	5/16	A65B-4RD516	650	32	107	307	3/8"	70	50	68	31	90
15,4	3/8	A65B-4RD38	650	36	107	307	3/8"	70	50	68	31	90
12,5	1/2	A65B-4RD12	650	46	107	307	1/2"	70	50	68	31	90
22,5	1/4	A72B-4RD14	720	27	107	307	3/8"	70	50	68	31	90
20,7	5/16	A72B-4RD516	720	32	107	307	3/8"	70	50	68	31	90
19,6	3/8	A72B-4RD38	720	36	107	307	3/8"	70	50	68	31	90
16,7	1/2	A72B-4RD12	720	46	107	307	1/2"	70	50	68	31	90
27,2	5/16	A82B-4RD516	820	32	107	307	3/8"	70	50	68	31	90
23,7	3/8	A82B-4RD38	820	36	107	307	3/8"	70	50	68	31	90
20,4	1/2	A82B-4RD12	820	46	107	307	1/2"	70	50	68	31	90

软管选型见第八页
See page 8 for hose choice.

旋转方向见第七页
See page 7 to define the rotation direction.

单管多层液压卷筒

Single port multispiral hydraulic hose reels

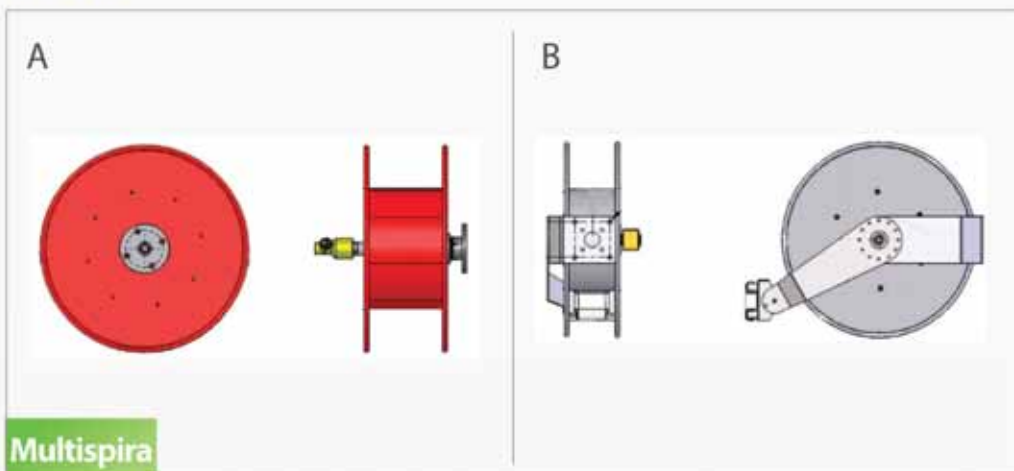
SERIE

1SM

高度个性化的单管多层卷筒系列适合传输液压油、水、空气及其他流体，可提供图A那样的中心法兰安装，也可以如图B，安装于墙面和地板，并集成有导管装置。

Hose reel series highly customizable. Suitable for hydraulic oil, water, air and much other fluids. Available also with cantilever side support (A) or floor or wall bracket with integrated hose guide.

外形尺寸 / Overall dimensions



性能参数 / Features

- 行程可达50米
- 管径可达1"
- 工作压力: 400bar

Stroke up to 50 meters

Hose diameter up to 1"

Working pressure up to 400 bar

我们有意把旋转接头外置以方便维修和替换。

To grant an easy maintenance and replacement, the swivel joint is positioned externally respect the hose reel drum.



更多技术细节请参阅我们的1SM系列产品的样本

Refer to the 1SM Series technical catalogue for more information.

各类移动设备上的水平安装应用

Horizontal applications on moving machinery

管径 ϕ Hose ϕ (mm)	行程 / Stroke (m)																										
	2	3	4	6	8	10	12	14	16	18	20	22	24	26	28	30	32	34	36	38	40	42	44	46	48	50	
6																											
10		RE																									
13				RG																							
15						RI																					
17								RL																			
19											RM																
26																											
31																											

可选项 / Optimal choice

垂直安装应用 / Vertical downwards applications

最大管径 ϕ (mm) EXT. HOSE ϕ MAX. (mm)	行程 / Stroke (m)																										
	4	5	6	7	8	9	10	11	12	13	14	15	16	17	18	19	20	21	22								
10,76																											
12,73	RG							RL																			
14,63								RL																			
16,44																											
17,15																											
18,07																											
18,9																											
22,57																											
25,36																											
26																											
30,75																											

特殊应用 / Special executions

针对特种行业日益增长的个性化需求，促使吉罗瑞更擅长于采用非标设计来完美地呼应市场对于先进输送系统的需求。

特种软管卷筒可以配备遥控器、自动排管装置、防止软管旋转以及其它稳定装置等。

The demand for personalized hose reels tailored for specific industrial requirements is constantly increasing; for this reason DR-GLOREEL specialized in the design and implementation of advanced supply systems.

The special hose reels can be equipped with remote control systems, automatic hose laying devices, rotating hose stops, stabilizers, and a lot more.



带排管装置的电机驱动型软管卷筒
Motor driven hose reel with spooler



具有ATEX防爆证书的卷筒
Avvolgitubo con certificazione ATEX



可搬运使用的软管卷筒
Mobile boxed hose reel



减速电机驱动的软管卷筒
Motor driven hose reel to store hoses

吉罗瑞电机驱动型软管卷筒被广泛应用于需要液压驱动的各类移动设备上。由于采用电机卷扬系统，使得该卷筒可以任意收放液压软管，而内置的流体旋转装置可以确保固定油口和软管移动油口之间的畅通无阻。

吉罗瑞电机驱动型软管卷筒常配备扭矩电机（或者自动打滑的电机，有时加装变频器）。另外，吉罗瑞卷筒也可采用液压马达驱动。

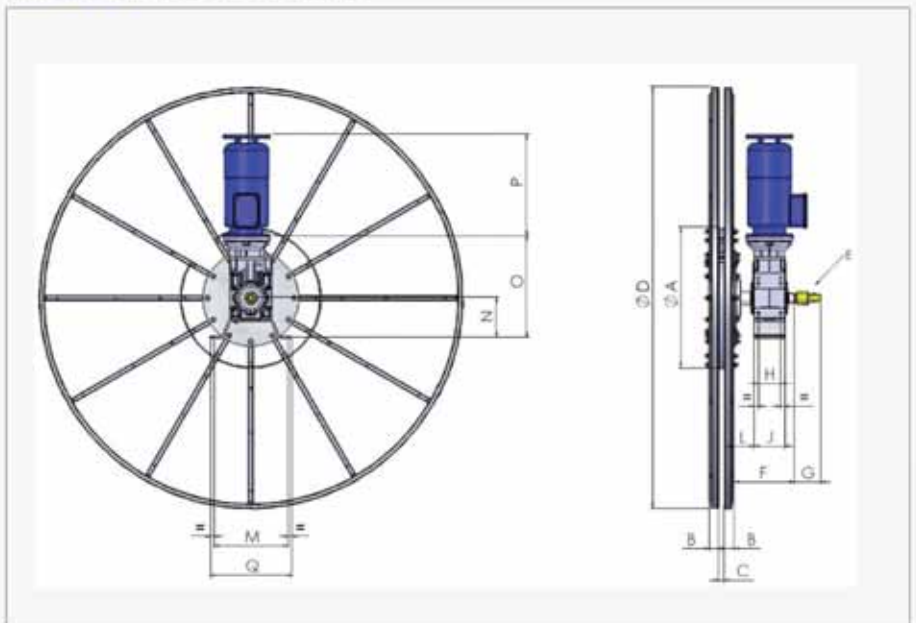
DR-GLOREEL motorized hose reels are suitable for every application needing to feed hydraulic power to a moving machinery. The length variations of the hydraulic hose are allowed thanks to the winding/unwinding of the hose on a motorized spool. The fluidic rotary joint ensures the passage of the hydraulic oil from the rotating wound hose and the fixed hose. DR-GLOREEL outfits its motorized hose reels with "torque" motors (or "high slip" motors or three phase engines with or without inverter) and also with hydraulic motor.



电机驱动型大口径长行程卷筒

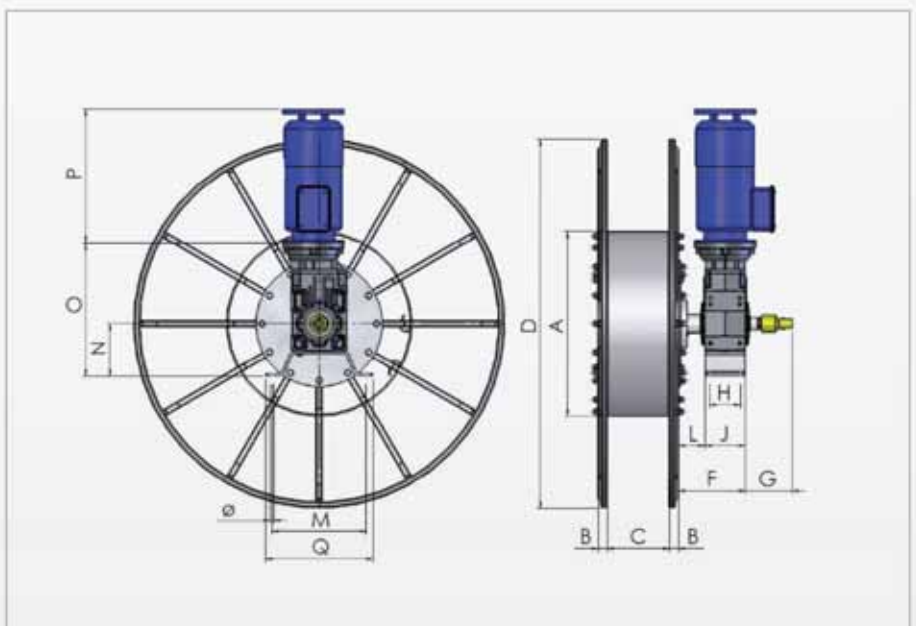
Single wrap motor driven hose reel for big diameter hoses and long stroke.

外形尺寸 / Overall dimensions



电机驱动型卷筒，用于普通管径和中度行程，采用紧凑型卷盘。

Multi wrap motor driven hose reel for mid size hoses and mid size stroke; compact drum dimension.





EH电液复合卷筒主要应用于那些既需要液压，也需要电气的移动设备上，往往这些设备和需要液压和电气服务点之间的距离会随时变化。由于卷筒采用单个或多个涡卷弹簧来确保张力，因此能随动机器释放和回卷软管和电缆（例如安装在伸缩臂）。

Electrohydraulic spring driven hose reels are used on those machines where the distance of the mobile use from the hydraulic and electric feeding is variable. One or more spiral springs have the function to keep tense and rewinding the hydraulic hoses and the electric cables previously unwound during the machine movement (eg. Extension of a telescopic boom).

性能参数 / Features

- 工作压力：400bar
- 电流：50A
- 液压管数量：1到4
- 管径：1/4"到3/4"
- 最高电缆分线：16根
- 最大行程：30米

Working pressure: up to 400 bar

Electrical power: up to 50 A

Hydraulic hoses quantity: from 1 to 4

Hydraulic hose dimensions: from 1/4" to 3/4"

Up to 16 poles electrical cables;

Stroke: up to 30 meters

电液复合卷筒是吉罗瑞的创新产品，因为液压和电气的传输可以通过一个卷筒加以实现，并满足各自不同的参数要求，同时有限的空间得以更好的利用。这些都得益于吉罗瑞早期生产电液旋转装置的经验。由于采用特种双排或三排液压软管，电缆同时也被胶合在一起。因此可以确保在各种工况下卷筒弹簧均可达到最佳回卷性能。

DR-GLOREEL electrohydraulic hose reel is an innovative product. In one drum both hydraulic hoses and electrical cables find its place. Several configurations are available to grant the installation also in places with very limited space. They are produced starting from special electrohydraulic rotary joints with hydraulic and electric port. Drum is equipped with special twin or triple hydraulic hoses combined with poliurethane cables glued together to grant an optimal rewinding by the spring in every working condition.

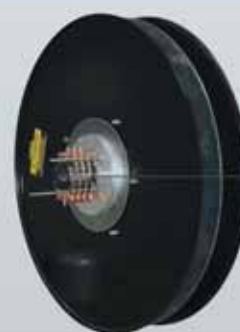


进油口

Oil inlet

电气进端

Electric inlet



电刷滑环

Slipring

旋转接头采用长寿命，免维护密封系统；回卷弹簧采用永久有效的油脂，也是免维护的。根据电流和工况滑环采用不同工艺制作，需要使用不同材料的滑环组合来应对标准电流、低电流模拟信号和各类数字信号（如Profibus, CanBUS和Ethernet等）。

如有专用需要，敬请垂询。

please contact our commercial office if customized solutions are needed

The rotary joint uses special long life and maintenance free seals. The rewinding spring, lubricated with permanent grease, is maintenance free also. The slip ring can be made with several technologies depending on the purpose and on the current that must be handled. Typically it is composed by several sliding contacts (with different contact materials) through which standard current, low current analog signals and digital signals (Profibus, CanBUS, Ethernet etc.) can be delivered.

钢丝绳网套 C810 / Metal sheath C810



- 避免软管机械拉伤
- 可选不锈钢材质AISI
- Useful to prevent high mechanical stress on hose
- Available in stainless steel AISI

单管导管器 GQ / Simple hose guide GQ



- 最大管径 $\Phi 80$
- 可选不锈钢版
- 可供各自规格
- Suitable for hoses up to $\Phi 80$
- Available in stainless steel
- Available in various dimensions

辊式导管器(带支撑) RGS
Roller hose guide with support RGS

Doppio - Double Singolo - Single



- 最大管径 $\Phi 85$
- Suitable for hoses up to $\Phi 85$ mm

尼龙滑轮 / Nylon pulley



- 单管最大1", 双排1/2"
- Available for single (up to 1") and twin hoses (up to 1/2")

止位球 / Hose stopper



- 单管最大1", 双排1/2"
- Available for single (up to 1") and twin hoses (up to 1/2")

旋转接头 / Swivel joints



- 单通道/双通道
- 最大通径1"
- With 1 and 2 port
- Dimension up to 1"

锁止限位器 / Latch ratchet

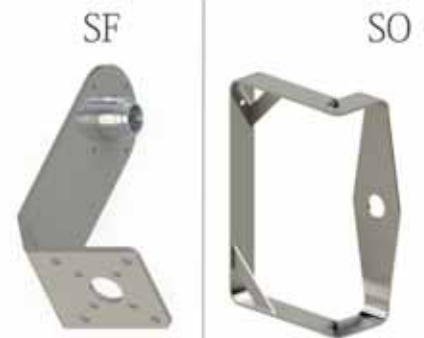


- 限定管子行程的机械装置
- Desired hose length locking mechanism

悬臂式导管器
Quadrotta hose guide with arm



各类支撑 / Support



安装方式

A

服务点
Feeding point

h

装作移动设备上的卷筒
Reel on a mobile device.

B

服务点
Feeding point

h

装在移动设备上并采用导向轮的卷筒
Reel on a mobile device with cable guide.

C

服务点
Feeding point

Supporto/Support

h

卷筒固定，服务点移动
Fixed reel with mobile feeding point.

D

服务点
Feeding point

Supporto/Support

h

f = m

卷筒固定，手工移动服务点
Fixed reel with handing mobile feeding point.

E

h

l

卷筒从上往下移动
Reel from upside to downside.

F

h

l

卷筒从下往上移动
Reel from downside to upside.

客户栏 / Customer

公司 / Company _____ E.mail _____

联系人 / Referent _____ 手机 / Mobile _____

地址 / Address _____

驱动方式 / Drive

弹簧 液压马达

Spring-drive Hydraulic motor

电机 _____ (V) _____ (Hz) 压缩空气

Electric motor Compressed air

其它 _____

Other

软管类别 / Hose type

外径 (mm) _____ 内径 (mm) _____

Ext. diameter Int diameter

1 单管 ○ 2 单管 ○ ○ 3 单管 ○ ○ ○

2 双排 / Twin ○ ○ 3 三排 / 3 Triple ○ ○ ○ 4 (双排+双排/2+2 ○ ○ ○ ○)

2 双排+1 / 2 Twin + 1 ○ ○ ○ 5 (三排+双排 / 3 Triple + 2 Twin ○ ○ ○ ○)

其它 _____

Other

软管长度及其它参数 / Hose lenght-configuration

全部展开 (m) _____ 行程 (m) _____

Hose always unwound Stroke

安装高度 (m) _____ 右旋 左旋

Mounting height Right hand rotation * Left hand rotation *

*Vista lato giunto idraulico/ See from hydraulic block

安装方式 (见左边示意图) A B C D E F

Installation (see left side pictures)

流体类型 / Fluid type

液压油 水 压缩空气

Hydraulic oil Water Compressed air

最大工作压力 _____

Max working pressure

备注 _____

Notes

附件 / Accessories

导管器 锁止限位器 金属网套

Hose guide Latch ratchet Metal sheath

固定支撑 旋转支撑

Fix support Swivel support

电机/马达 弹簧

Motor Spring motor



吉罗瑞机电(上海)有限公司

上海市浦东新区古丹路15弄21号

邮编: 201314

电话: 021-51028851

传真: 021-51028872

<http://www.gloreel.cn>

Email: info@gloreel.com



分销商 / Distributor :